

D

C

B

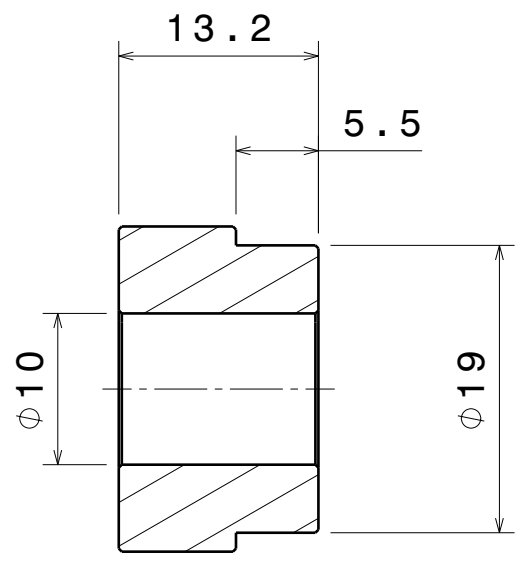
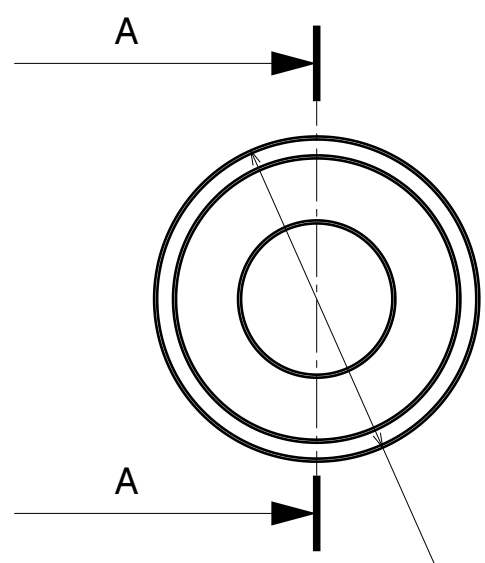
A

4

4

Vue de face
Echelle : 2:1

Coupe A-A
Echelle : 2:1



3

3

2

2

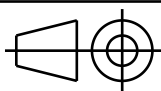
NOTA:

Tolérance générale ± 0.1 sauf indications contraire
Cassez les agnle vifs 0.2 à 45°

Faux roulement bequille d'ateleier

1

1

| | | | | |
|---------------------|---|----------------------------|----------------------------------|-----------------------|
| SIZE A4 |  | MATIERE Alu 7075 | | |
| SCALE 2:1 | WEIGHT (kg) 0.03 | DATE: 11/03/2017 | DESIGNED BY: Philcelow | SHEET 1 / 1 |

This drawing is our property; it can't be reproduced or communicated without our written agreement.

D

A