

H G F E D C B A

4

3

2

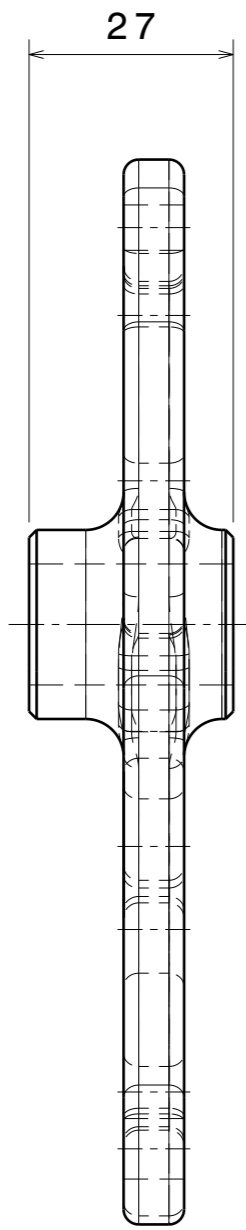
1

4

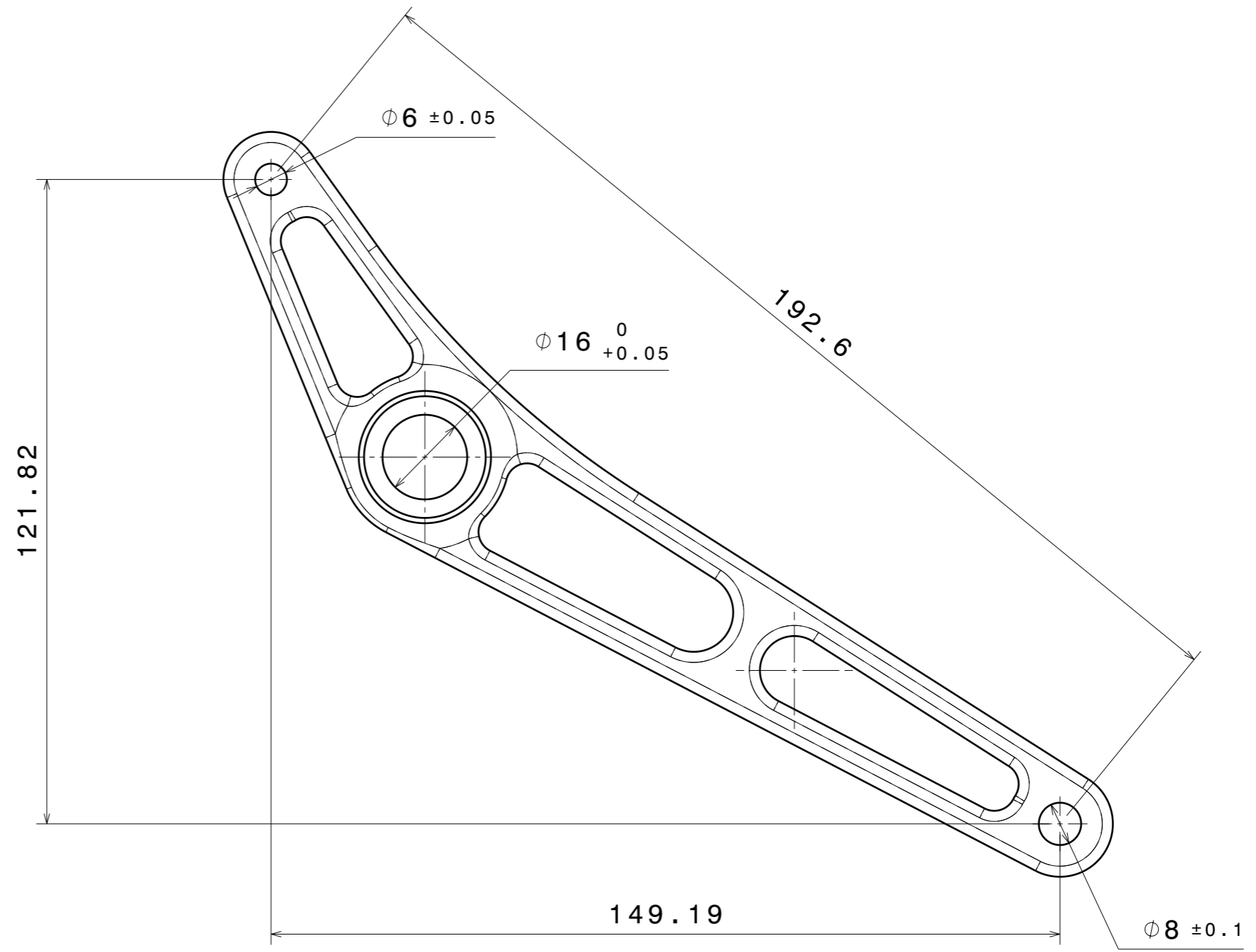
3

2

1



Vue de droite
Echelle : 1:1



Vue de face
Echelle : 1:1

Matière : Aluminium 7075 T6
Nombre : 1

DESIGNED BY: U482888		DASSAULT SYSTEMES		I	-
DATE: 16/11/2017				H	-
CHECKED BY: XXX				G	-
DATE: XXX		DRAWING NUMBER Selecteur de vitesse		F	-
SIZE A3				E	-
SCALE 1:1	WEIGHT (kg) 0,03	SHEET 1/1		D	-
This drawing is our property; it can't be reproduced or communicated without our written agreement.				C	-
				B	-
				A	-

H G B A