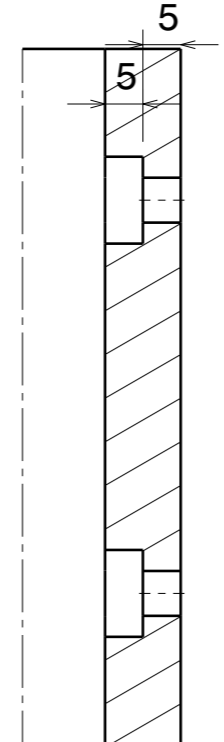
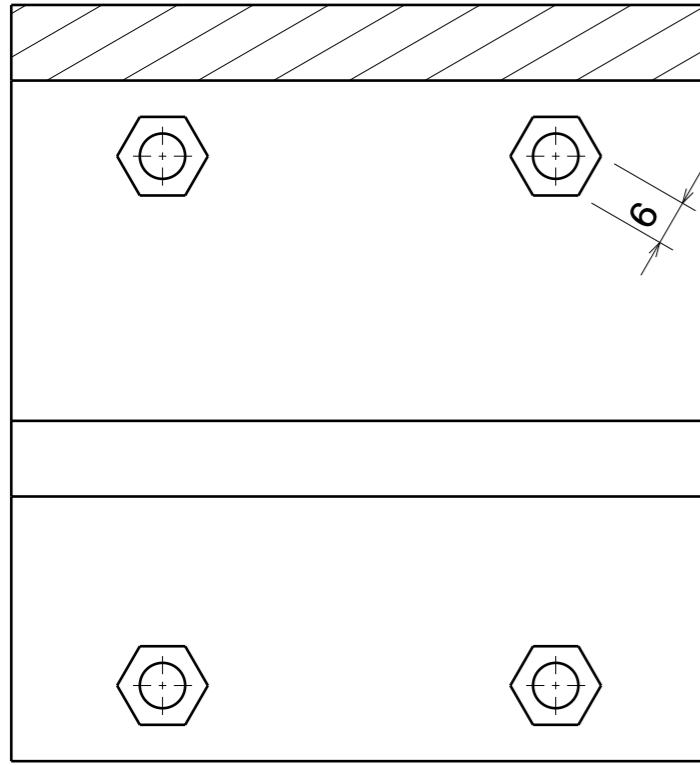


Epaisseur 10 mm
Acier brut

Vue iso echelle 1/2



A-A

B-B

DESIGNED BY: Damien DATE: Date	Nom pièce ou produit	I	-
CHECKED BY: Nom Prénom DATE: Date		H	-
SIZE A3	Référence	G	-
SCALE 1:1		F	-
WEIGHT (kg) Poids		E	-
DRAWING NUMBER		D	-
		C	-
		B	-
		A	Date

This drawing is our property; it can't be reproduced or communicated without our written agreement.

SHEET
1 / 1