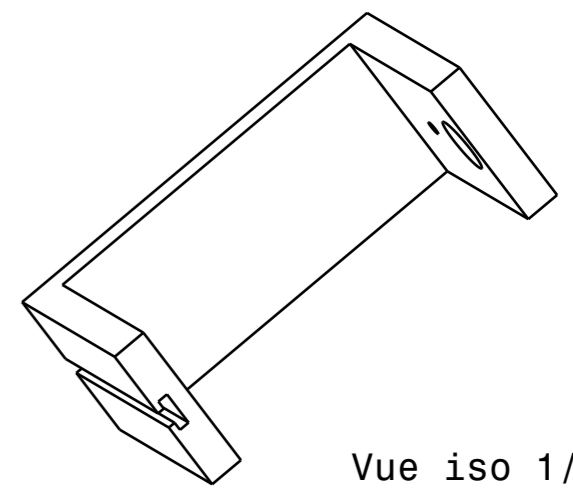


Epaisseur 10 mm  
Acier brut



Vue iso 1/2

DESIGNED BY: Damien	<b>Nom pièce ou produit</b>		I	-
DATE: Date			H	-
CHECKED BY: Nom Prénom			G	-
DATE: Date			F	-
SIZE A3		E	-	
SCALE 1:1		D	-	
WEIGHT (kg) Poids	DRAWING NUMBER Référence	C	-	
		B	-	
		A	Date	
SHEET 1/1				

This drawing is our property; it can't be reproduced or communicated without our written agreement.