

D

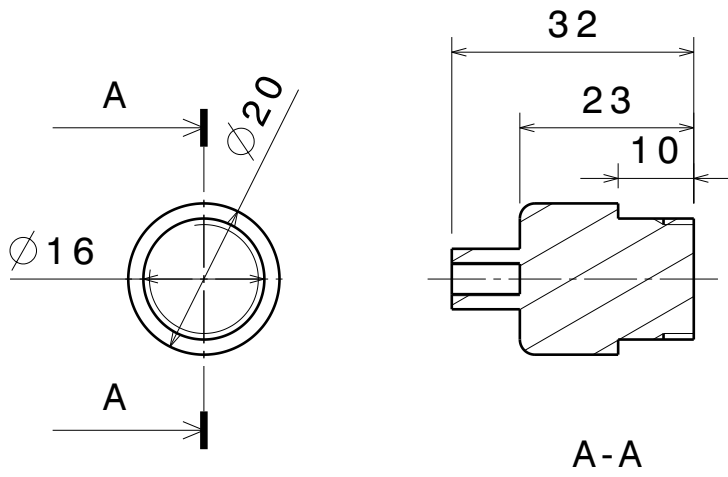
C

B

A

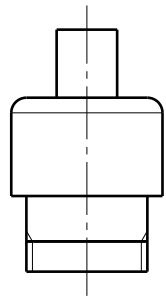
4

4



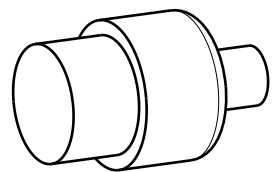
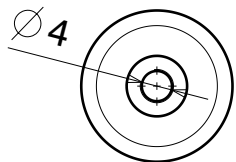
3

3



2

2



Chanfrein 2 mm  
 Vue iso  
 Acier brut  
 Taraudage trou M4  
 Filetage D16

1

1

DESIGNED BY: <b>Damien</b>				I	-
DATE: <b>Date</b>				H	-
CHECKED BY: <b>Nom Prénom</b>				G	-
DATE: <b>Date</b>				F	-
SIZE <b>A4</b>				E	-
SCALE <b>1:1</b>	WEIGHT (kg) <b>Poids</b>	DRAWING NUMBER <b>Référence</b>		D	-
		SHEET <b>1 / 1</b>		C	-
This drawing is our property; it can't be reproduced or communicated without our written agreement.				B	-
				A	Date

D

C

B

A