

H G F E D C B A

4

3

2

1

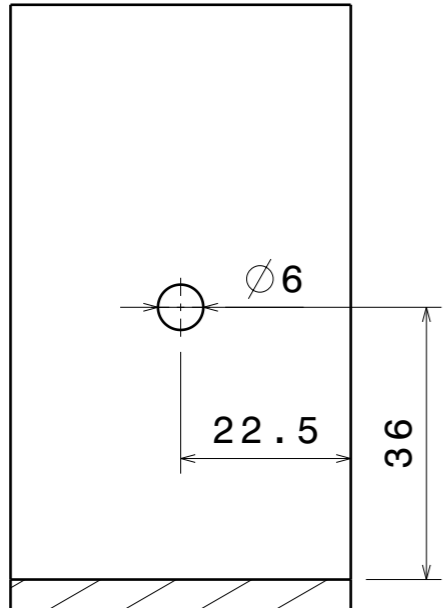
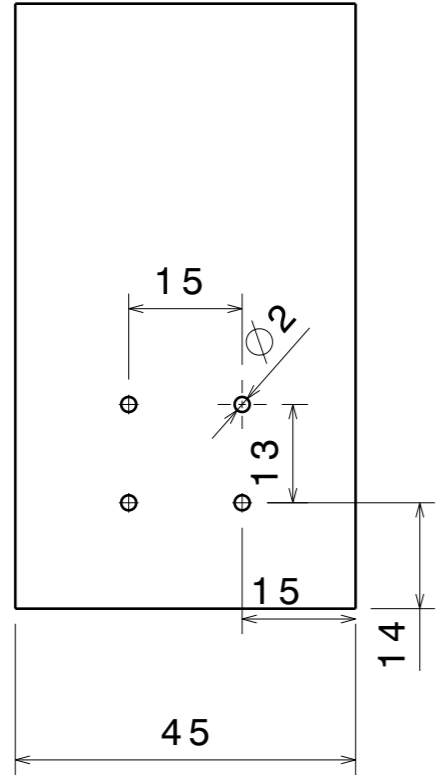
4

3

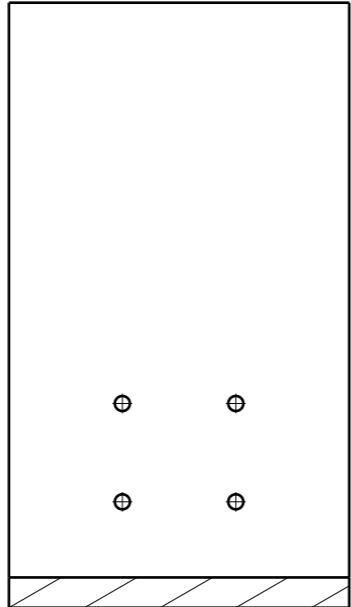
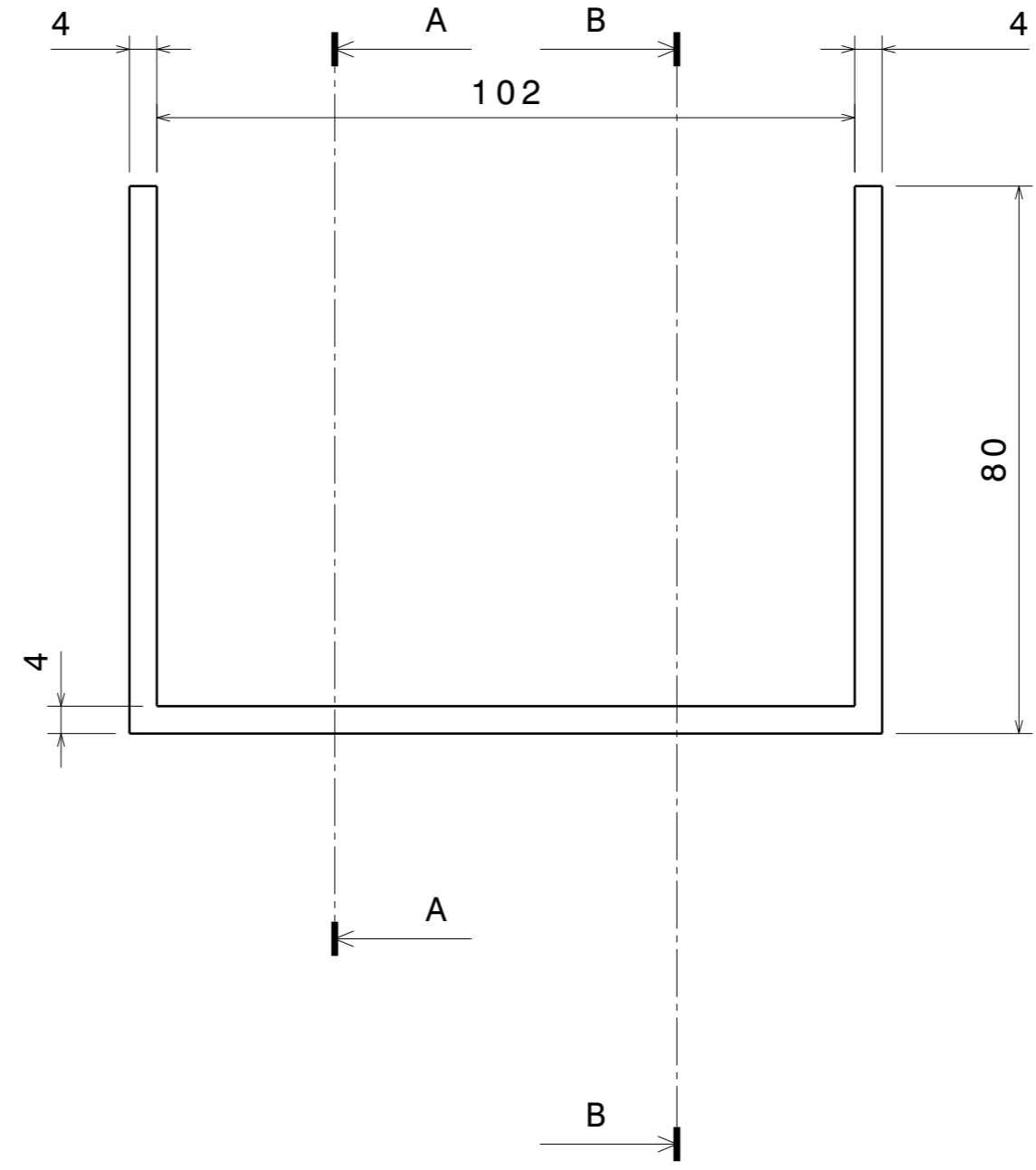
2

1

H G F E D C B A



A-A



B-B

Acier Brut  
Taraudage trous et M6

DESIGNED BY: <b>Damien</b>			I	-	
DATE: <b>Date</b>			H	-	
CHECKED BY: <b>Nom Prénom</b>			G	-	
DATE: <b>Date</b>			F	-	
SIZE <b>A3</b>				E	-
SCALE <b>1:1</b>	WEIGHT (kg) <b>Poids</b>	DRAWING NUMBER <b>Référence</b>	SHEET <b>1/1</b>	D	-
This drawing is our property; it can't be reproduced or communicated without our written agreement.				C	-
				B	-
				A	Date