

D

C

B

A

4

4

3

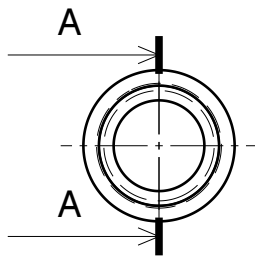
3

2

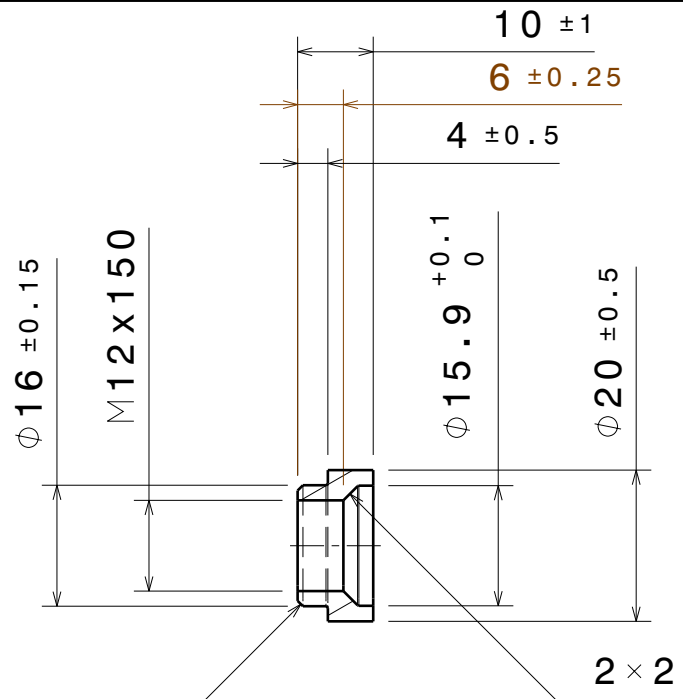
2

1

1



Vue de face
Echelle : 1:1



0.7×0.7

Coupe A-A
Echelle : 1:1

Matière : Aluminium
Nombre : 1

DESIGNED BY: U482888		<h1>Insert taraude T air</h1>		I	-
DATE: 10/10/2017				H	-
CHECKED BY: XXX		<h2>DASSAULT SYSTEMES</h2>		G	-
DATE: XXX				F	-
SIZE A4		DASSAULT SYSTEMES		E	-
SCALE 1:1	WEIGHT (kg) 0,00			D	-
DRAWING NUMBER 9150113		SHEET 1 / 1		C	-
This drawing is our property; it can't be reproduced or communicated without our written agreement.				B	-
				A	-

D

A