

1

2

3

4

A

A

B

B

C

C

D

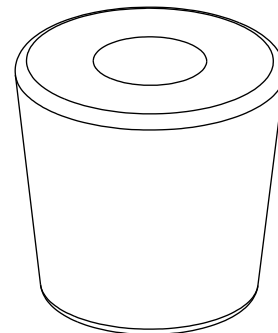
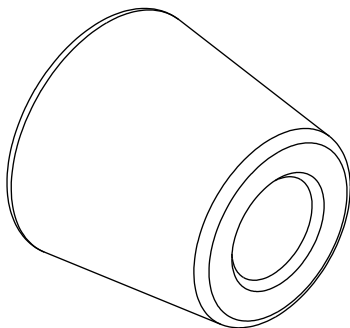
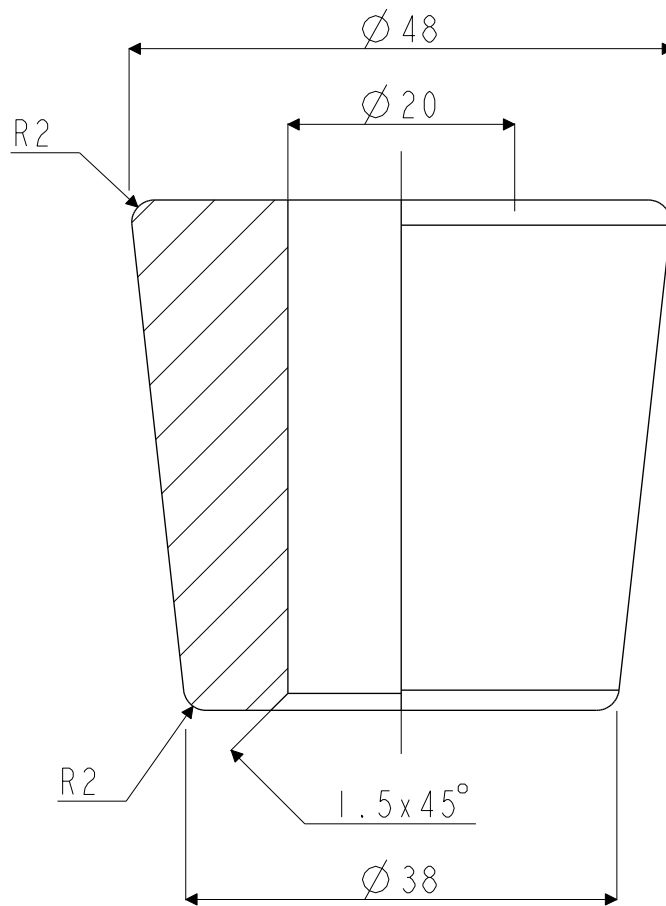
D

E

E

F

F



ECHELLE 0.750

Drawn - date	NDU - 23/05/18	Designation	PETITE MASSE		Reference	0001	Indice	A	
Approved - date	Material	Laiton	Weight	448 g	Roughness	$R_a \frac{3.2}{\sqrt{\quad}}$			
	Tolerances	$\pm 1 \text{ mm} / \pm 1^\circ$		Treatment	N / A				
	Finition	N / A							
The information contained in this drawing is the sole property of Nicolas Dubois. Any reproduction in part or whole without the written permission of Nicolas Dubois is prohibited.			Unless otherwise specified dimensions are in mm, angle in $^\circ$ , weight in g. Do not scale the drawing			Format	A4v	Sheet	1/1

1

2



3

4