

H G F E D C B A

4

3

2

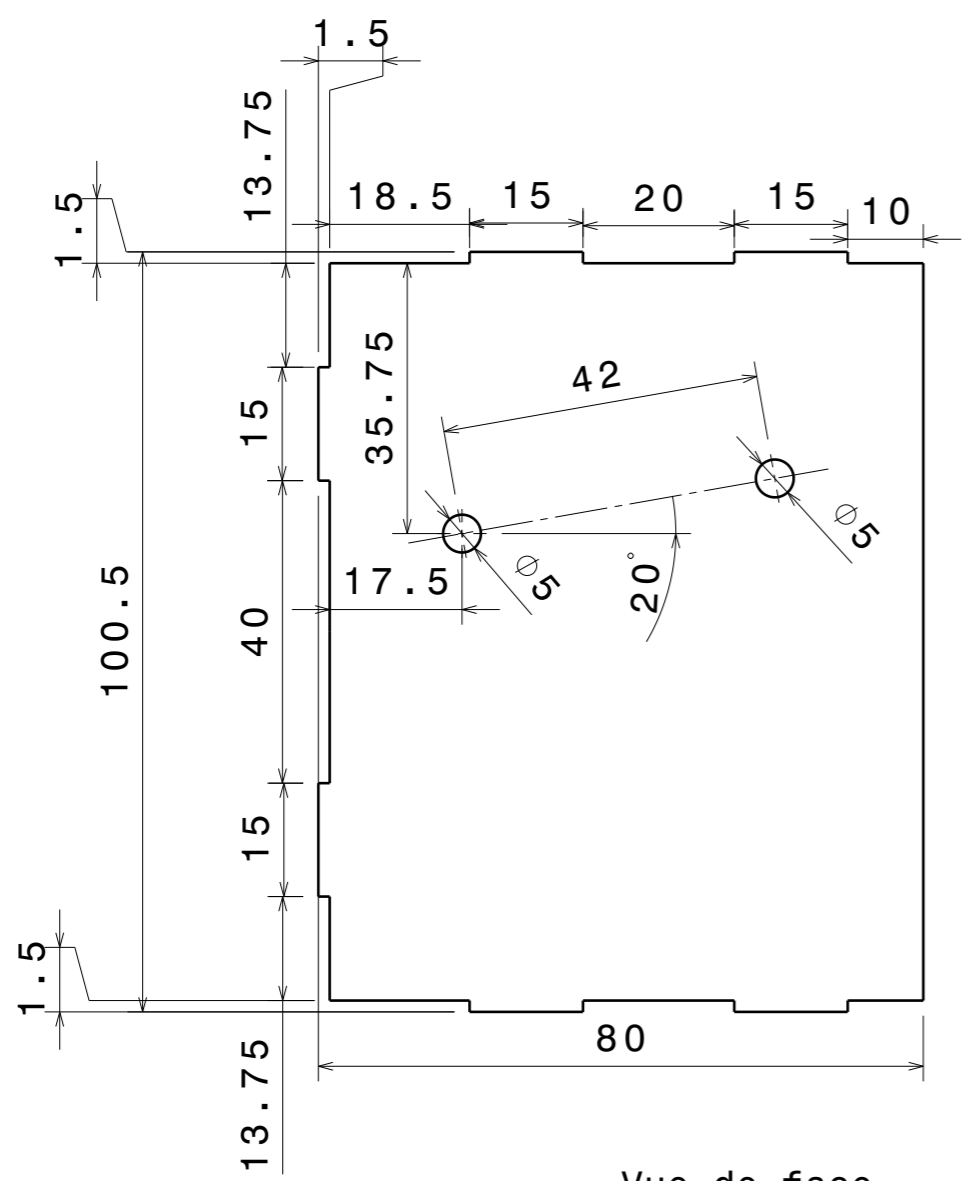
1

4

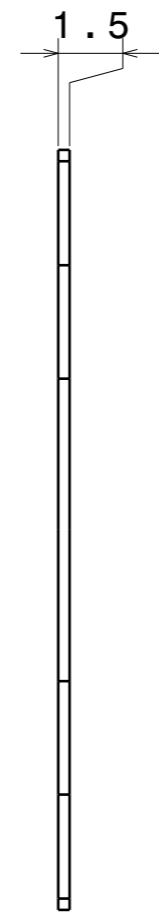
3

2

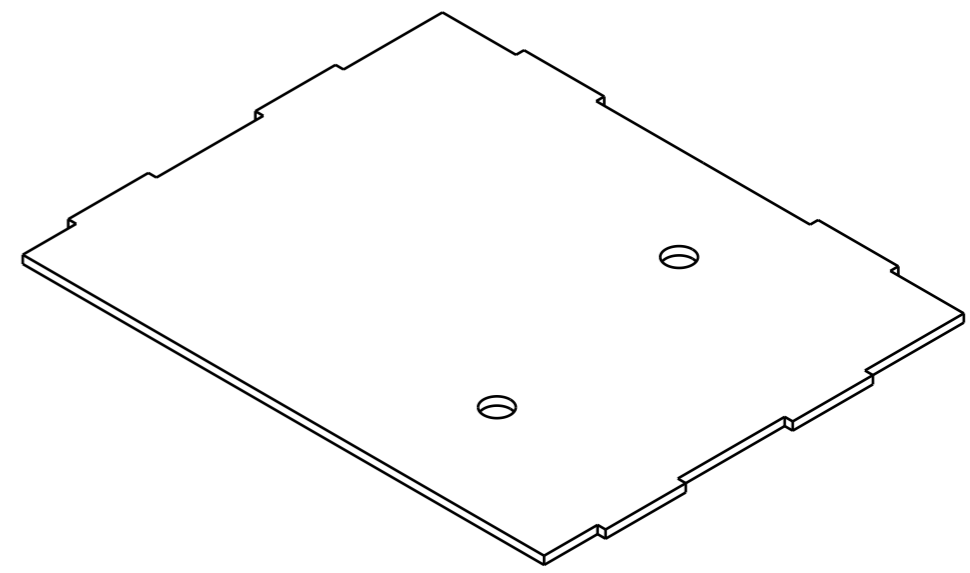
1



Vue de face
Echelle : 1:1



Vue de gauche
Echelle : 1:1



Vue isométrique
Echelle : 1:1

DESIGNED BY: JD	<h1>Support de pompe</h1>		I	-
DATE: 05/06/2018			H	-
CHECKED BY: XXX	Base		G	-
DATE: XXX			F	-
SIZE A3		Version 2.0	E	-
SCALE 1:1	WEIGHT (kg) 0.091		D	-
		SHEET 1/1	C	-
			B	Ep. 1.5mm
This drawing is our property; it can't be reproduced or communicated without our written agreement.			A	Création

H G B A