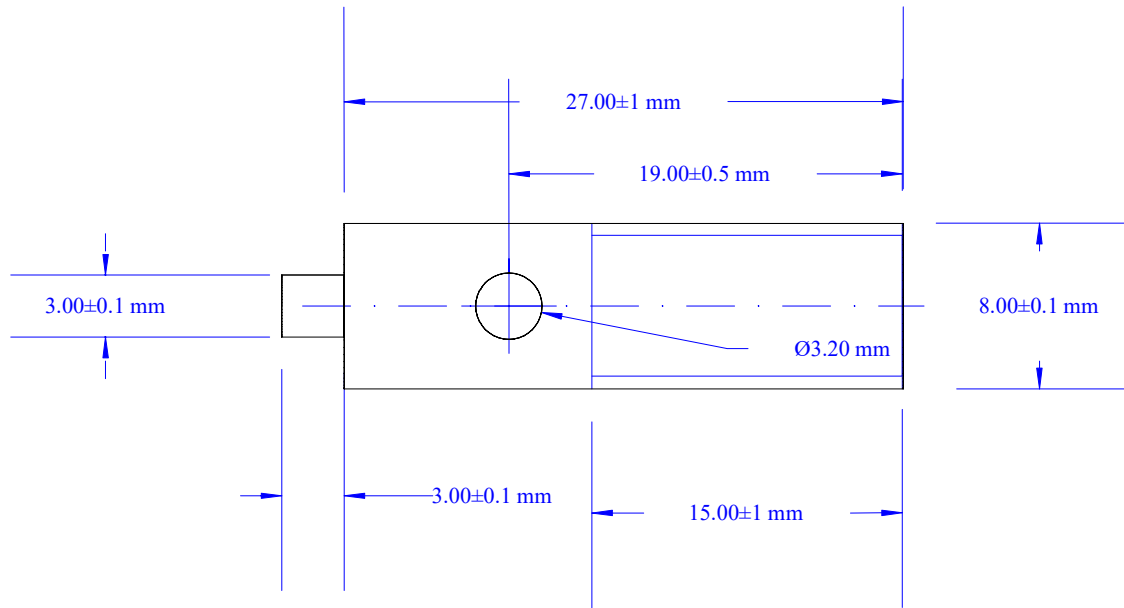
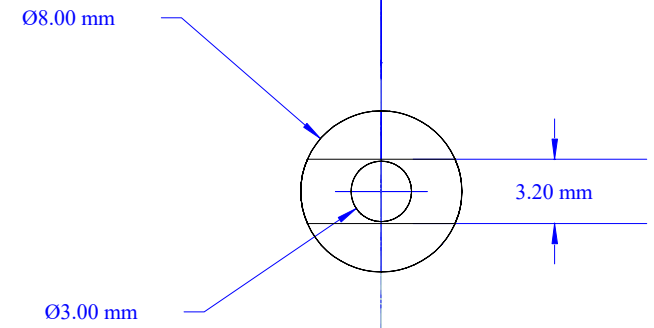


13_Tensioning_Device_Trailing_Screw made of 8mm stainless steel round rod

8mm diameter with fine thread (0.5 mm pitch) over 15mm length



Side view



Front view