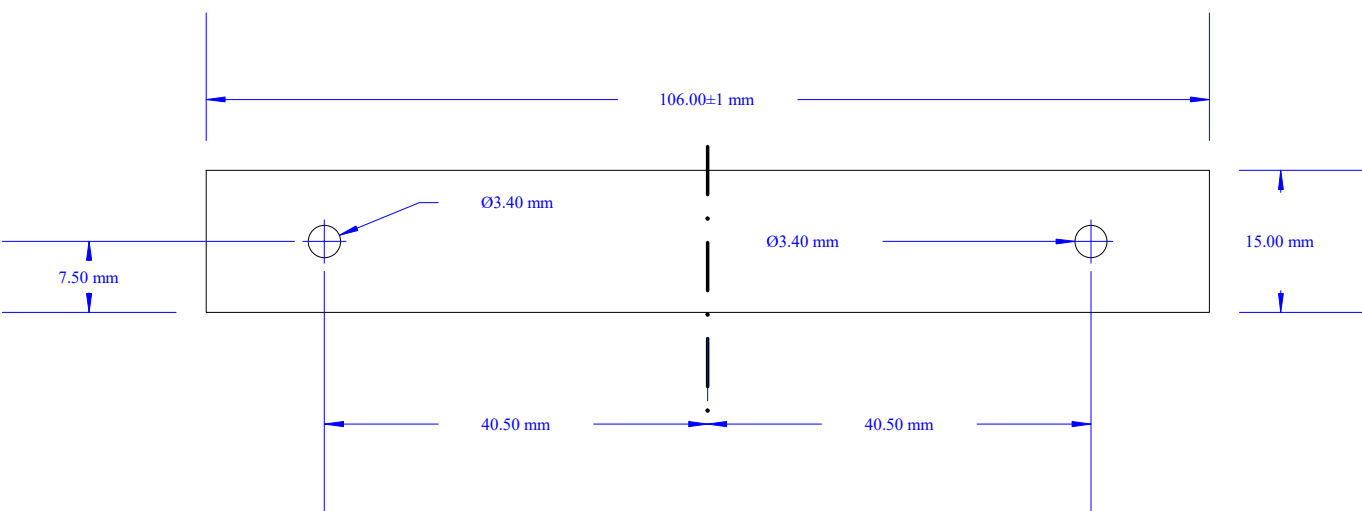
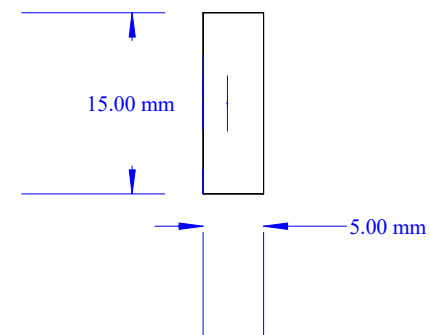


13_Tensioning_Device_Trailing_Shaft_Flat_Rod is made of stainless steel flat rod with 5mm thickness

Expected tolerance when not mentioned is 0.1 mm



Front view



Side view