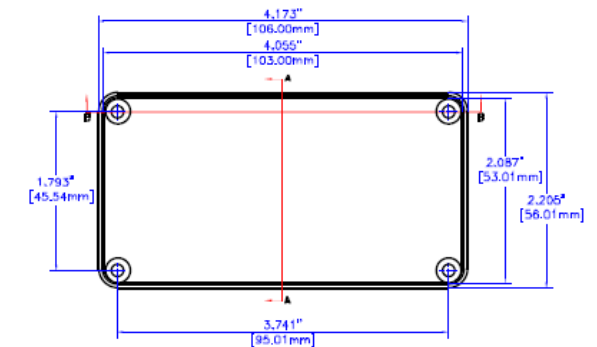
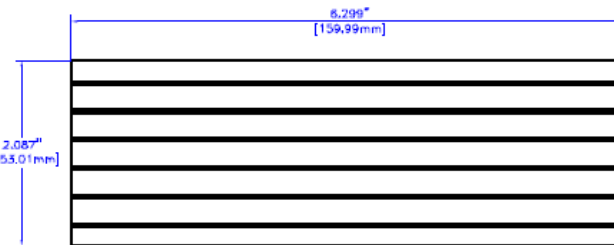
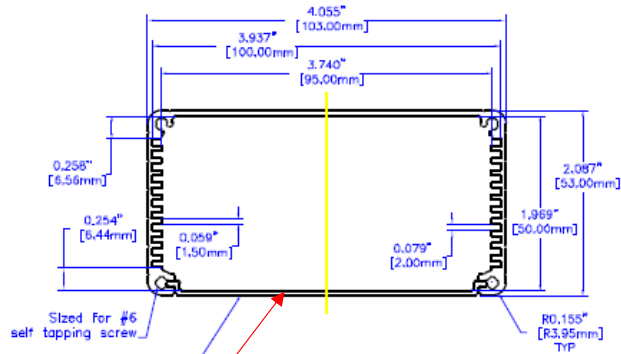
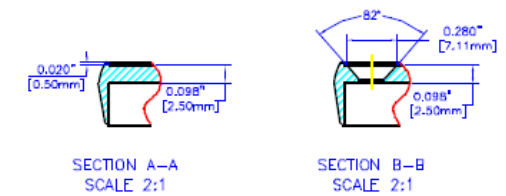


NOTES

Constructed from extruded Al with a minimum thickness of 0.06"(1.5mm)
 Available in clear or Black anodized finish
 Version 2 includes two Black plastic one piece bezel/panels.
 Hardware and self-adhesive rubber feet included.



PANEL

For the best fit print on legal size paper.

EXTRUSION

Plaque a reprendre

THIS DRAWING IS PROPRIETARY INFORMATION OF HAMMOND MFG.CO.LTD. NOT TO BE USED WITHOUT EXPRESSED WRITTEN PERMISSION OF HAMMOND MFG.CO.LTD.

Rev	ECN	Description	Date	By
		RELEASE	01 15 02	MM

Unless otherwise spec'd dimensions are in inches
 Tolerances are:

.X	± .1
.XX	± .02
.XXX	± .010
.XXXX	± .0005
Holes	± .0050
Angles	± .5°

Dwn	M. MURPHY
Date	01 15 02
Chk	---
Mat'l	Extruded Aluminum
Sheet	1 of 2

HAMMOND MANUFACTURING CO. LTD.
 Electronics Group, Waterloo, Ont. - Cheektowaga, NY

**HAMMOND 1455 SERIES
 EXTRUDED ALUMINUM**

Part#: 1455N1602 Dwg: 1455N1602A

Plaque a reprendre

160

