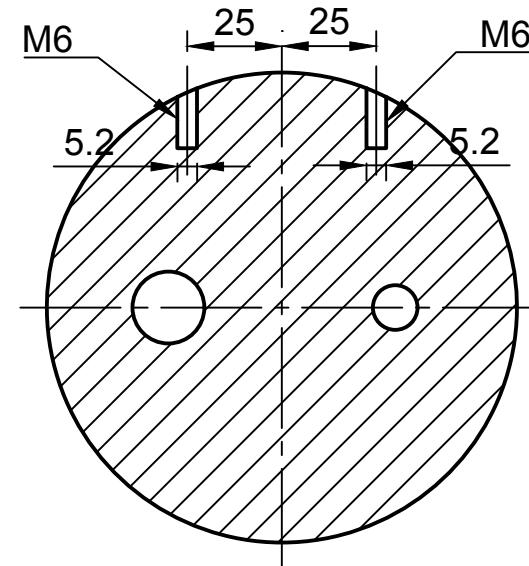


A-A (1:2)



Created by R. PIEBAC 09/06/2019		Approved by R. PIEBAC 09/06/2019	
Matériau ACIER		Document status Approuvé pour usage	
Title Reservoir Kérosène FOND BAS		DWG No. ALE_BE_DWGMK2-3	
Rev. 1	Date of issue 09/06/2019	Sheet 1/1	
AURORA LIQUID ENGINE - Banc d'essai			