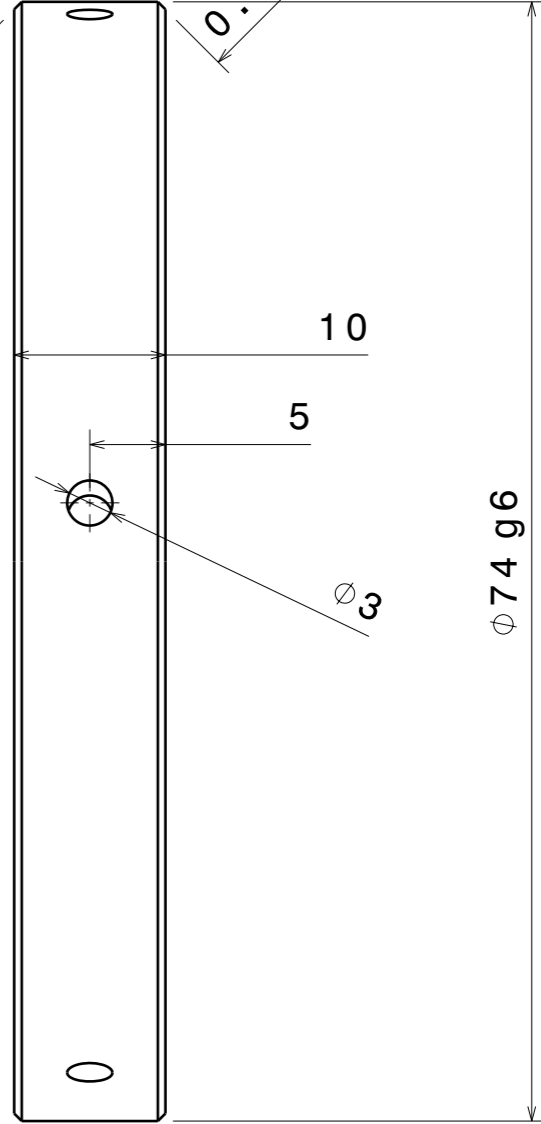


Vue de face  
Echelle : 2:1

Vue isométrique  
Echelle : 1:1



Vue de gauche  
Echelle : 2:1

DESIGNED BY: chris		Ply Name	Roue_ext_R1	I	-
DATE: 24/07/2020		Material	Acier	H	-
CHECKED BY: XXX		Direction	XXXX	G	-
DATE: XXX		Thickness	XXXX	F	-
SIZE A3		Quantité	1	E	-
SCALE 1:1	WEIGHT (kg) XXX	GroupID	XXXX	D	-
				C	-
				B	-
				A	-

This drawing is our property; it can't be reproduced or communicated without our written agreement.