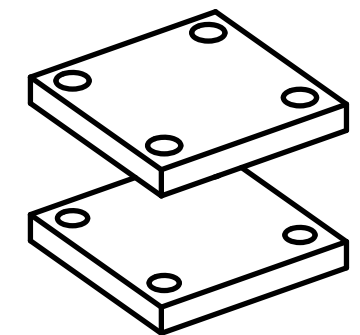
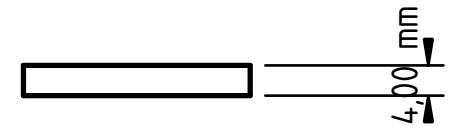
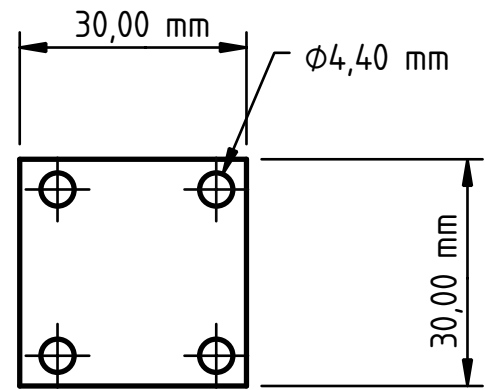
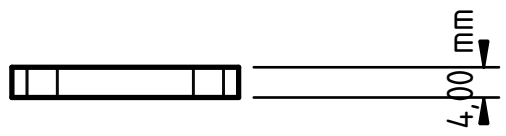
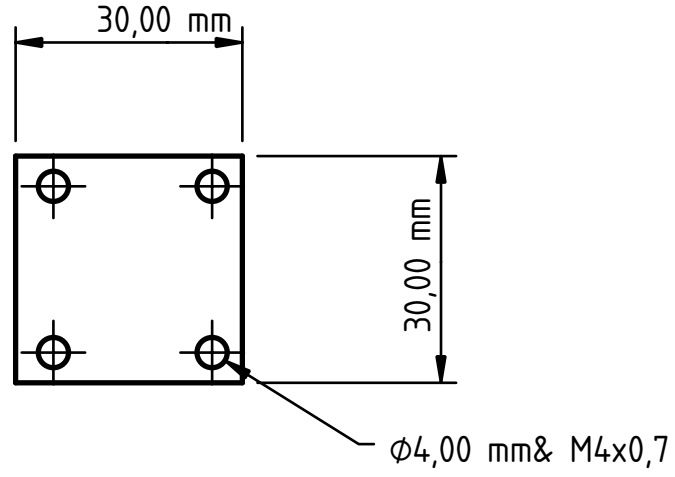


F E D C B A

4



4

3

2

2

1

1

F E D

DESIGNED BY: Motul Rodrigo		Title		G	—
DATE: 08/01/2021		Support Metal		F	—
SIZE A4				E	—
				D	—
SCALE 1-1	WEIGHT (kg) Weight	DRAWING NUMBER 1-02		C	—
		SHEET Sheet		B	—
This drawing is our property; it can't be reproduced or communicated without our written consent.				A	—