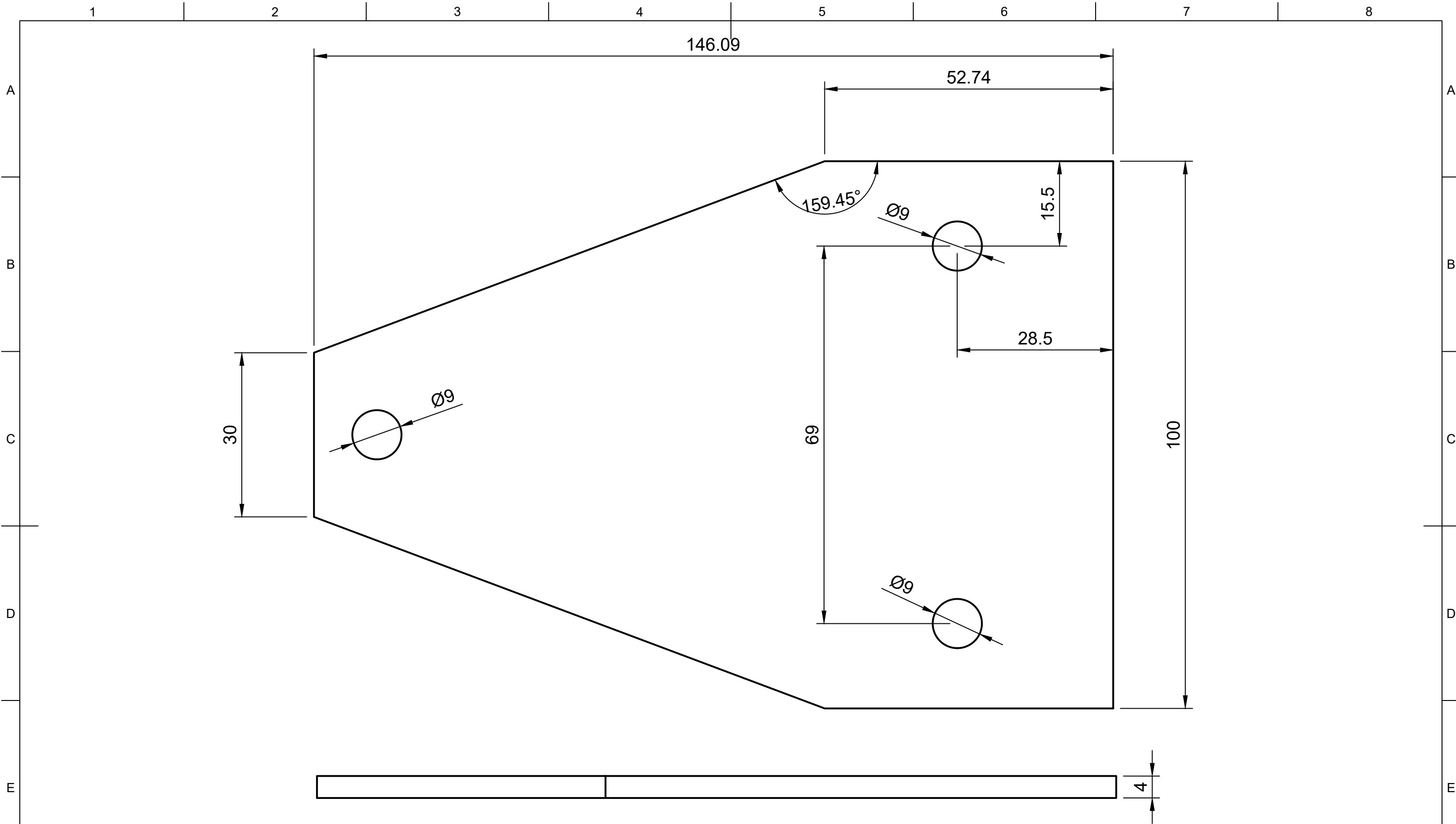
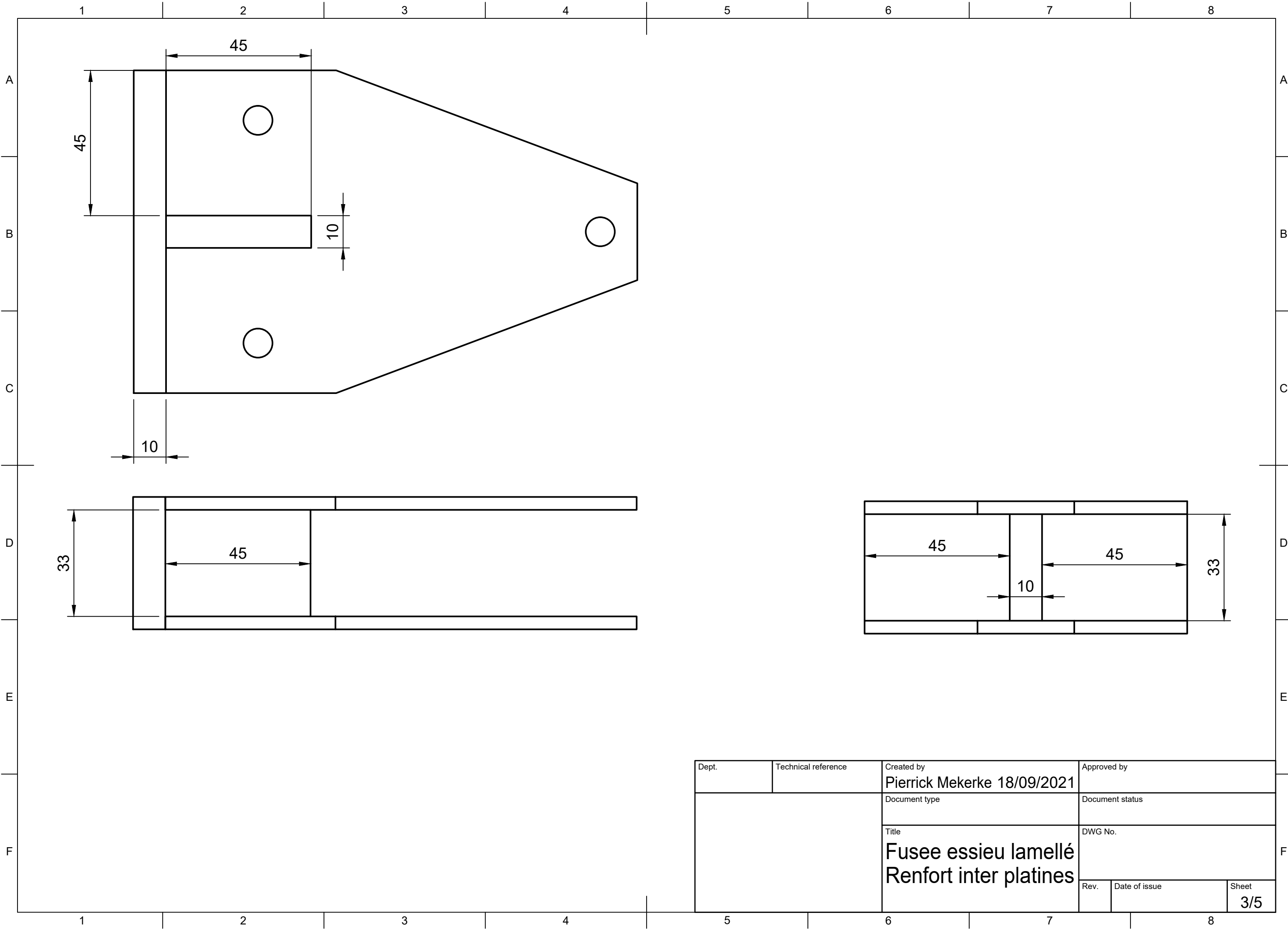


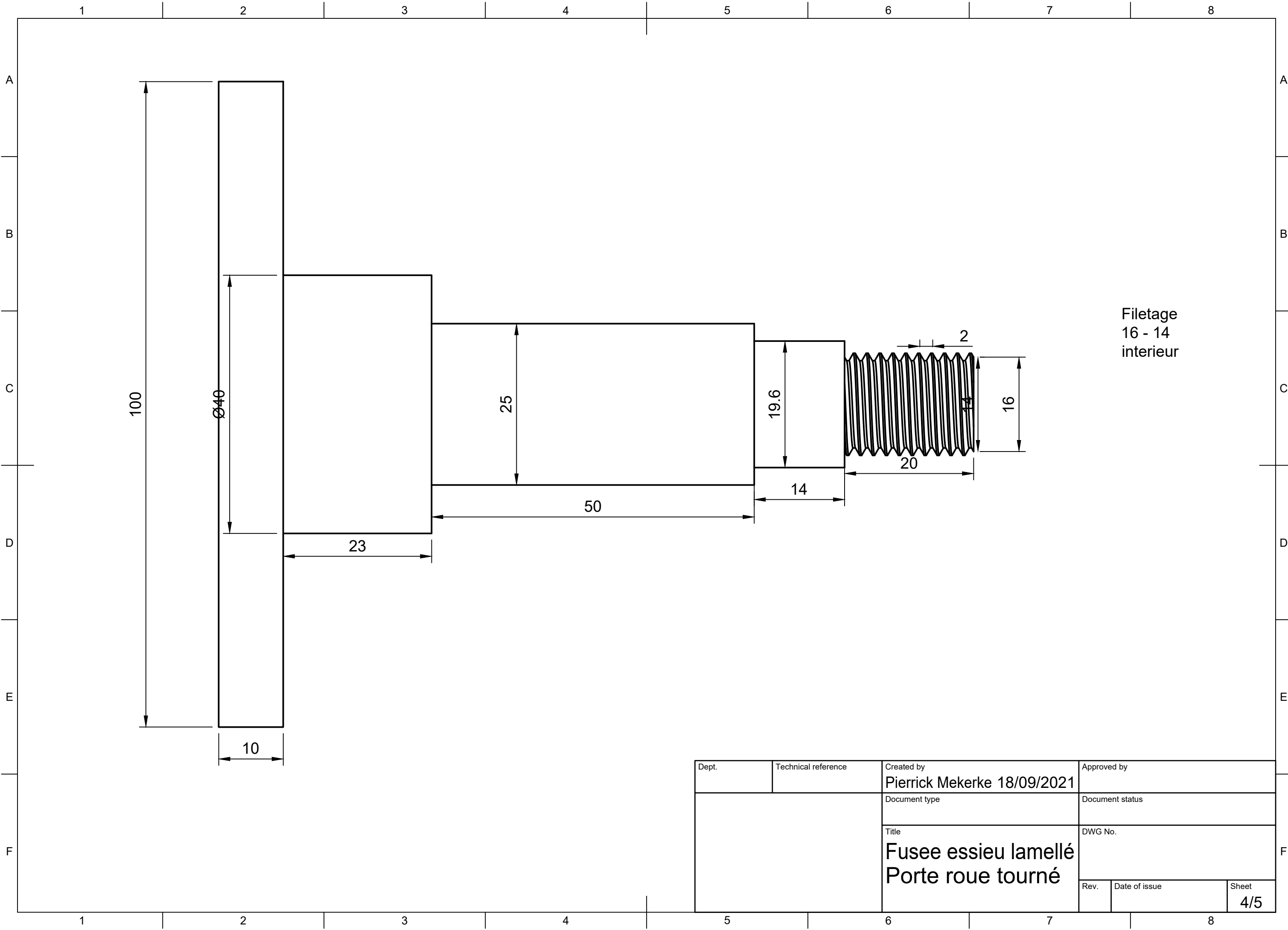
Dept.	Technical reference	Created by Pierrick Mekerke 18/09/2021	Approved by	
		Document type	Document status	
		Title Fusee essieu lamellé	DWG No.	
	Rev.	Date of issue	Sheet 1/5	



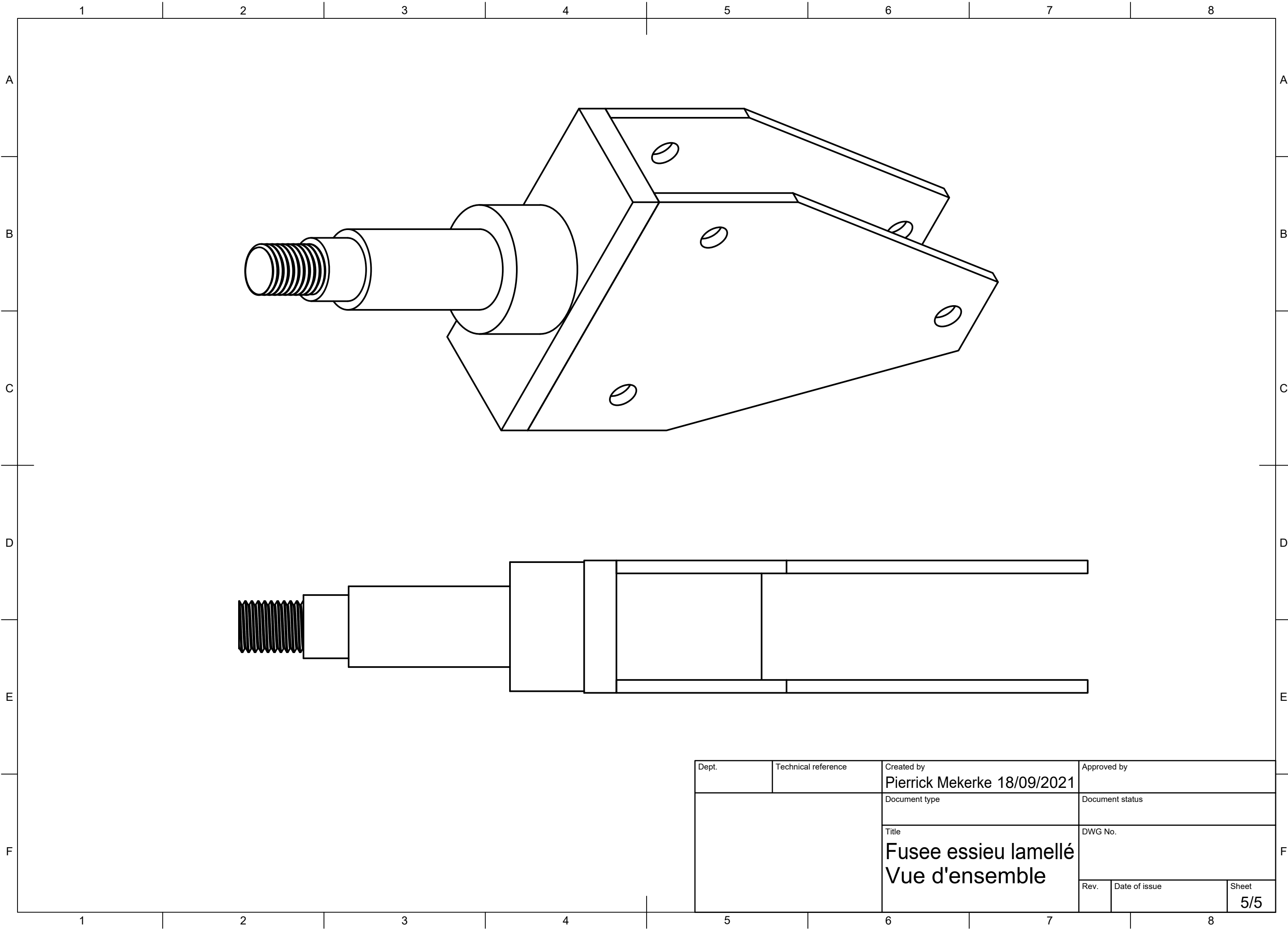
Dept.	Technical reference	Created by Pierrick Mekerke 18/09/2021	Approved by
		Document type	Document status
		Title Fusee essieu lamellé Platines hautes et basses	DWG No.
Rev.	Date of issue	Sheet 2/5	



Dept.	Technical reference	Created by Pierrick Mekerke 18/09/2021	Approved by
		Document type	Document status
		Title Fusee essieu lamellé Renfort inter platines	
Rev.	Date of issue	Sheet 3/5	



Dept.	Technical reference	Created by Pierrick Mekerke 18/09/2021	Approved by
		Document type	Document status
		Title Fusee essieu lamellé Porte roue tourné	DWG No.
Rev.	Date of issue	Sheet 4/5	



Dept.	Technical reference	Created by Pierrick Mekerke 18/09/2021	Approved by	
		Document type	Document status	
		Title Fusee essieu lamellé Vue d'ensemble		DWG No.
		Rev.	Date of issue	Sheet 5/5