

H G F E D C B A

4

3

2

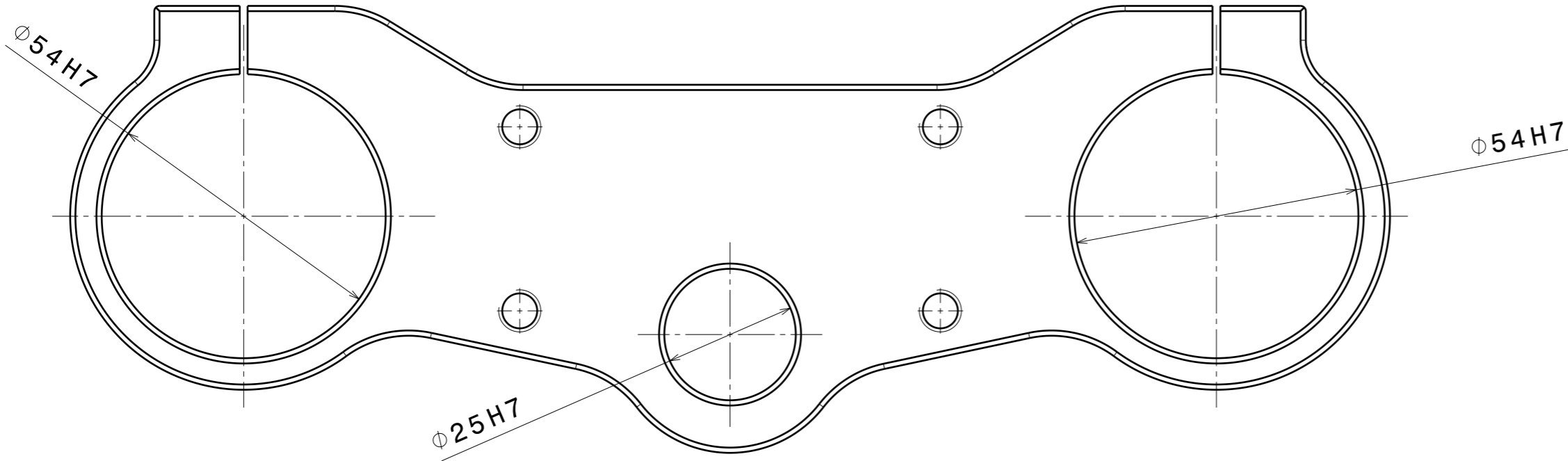
1

4

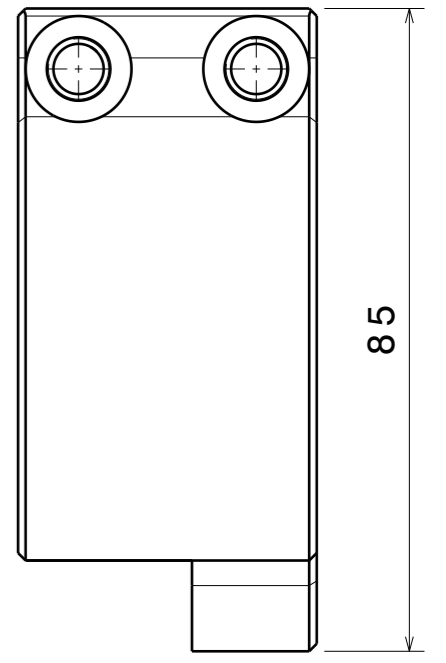
3

2

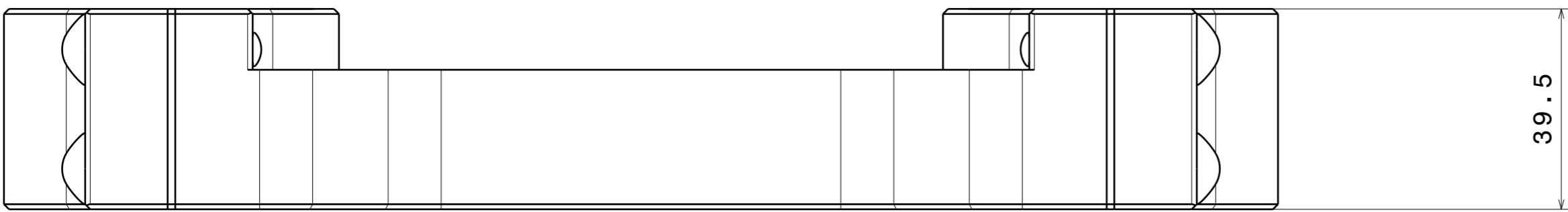
1



Vue de face



Vue de gauche



Vue de dessus

251

39.5

DESIGNED BY:	BCM	
DATE:	27/09/2021	
CHECKED BY:	XXX	
DATE:	XXX	
SIZE	A3	
SCALE	1:1	WEIGHT (kg)
		XXX
	DRAWING NUMBER	XXX
		SHEET
		1/1

Té supérieur

I	-
H	-
G	-
F	-
E	-
D	-
C	-
B	-
A	-

This drawing is our property; it can't be reproduced or communicated without our written agreement.

H G F E D C B A