

D

C

B

A

4

4

3

3

2

2

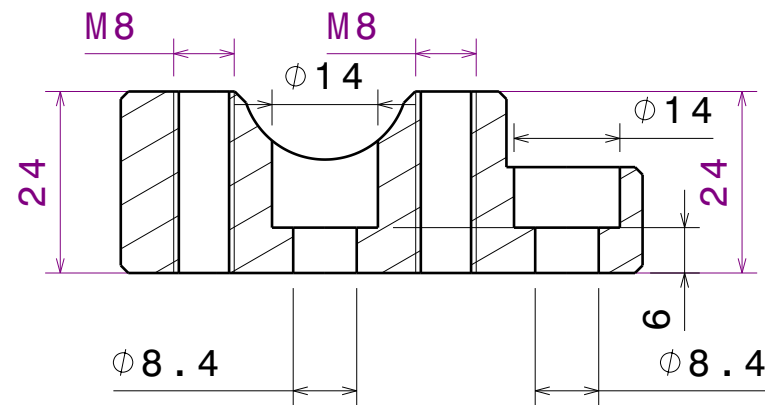
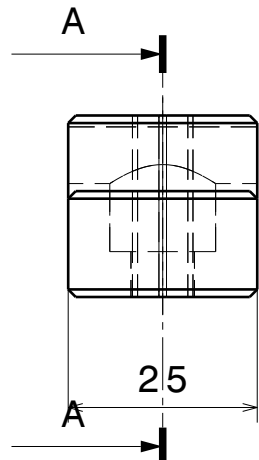
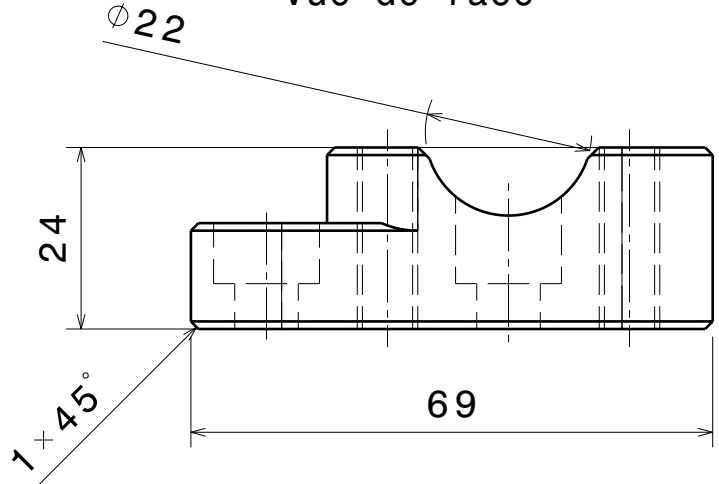
1

1

Vue de face

Vue de gauche

Coupe A-A



DESIGNED BY: <b>Albin</b>	
DATE: <b>25/10/2021</b>	
CHECKED BY: <b>XXX</b>	
DATE: <b>XXX</b>	
SIZE <b>A4</b>	
SCALE <b>1:1</b>	WEIGHT (kg) <b>XXX</b>

<h1>Pontet 1 Bresson</h1>	
SHEET <b>1/1</b>	

I	-
H	-
G	-
F	-
E	-
D	-
C	-
B	-
A	-

This drawing is our property; it can't be reproduced or communicated without our written agreement.

D

A