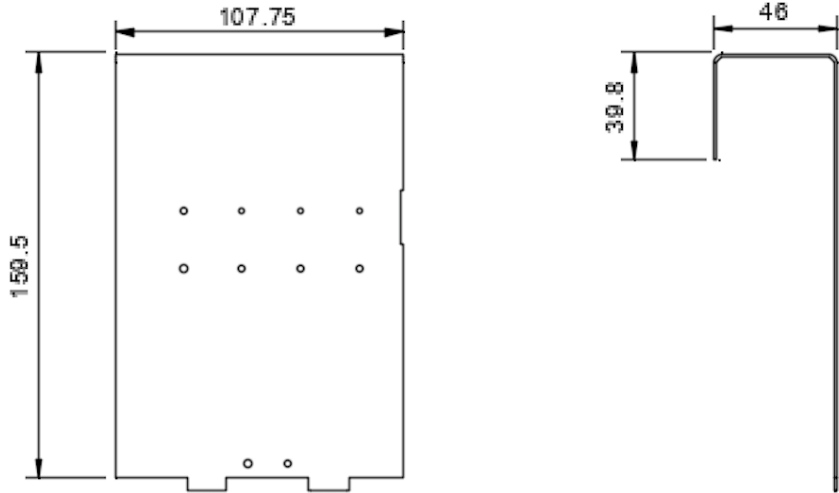
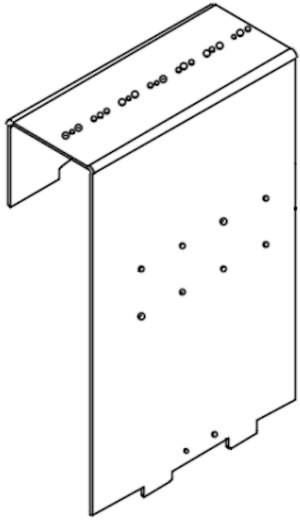


Name	Material	Quantity	
Slot Fixed Wall 1	Aluminium 1.5mm	6	



Dept.	Technical reference	Created by O.B	12/09/2023	Approved by
Aluminium 1.5mm				
		Title U. rev4 b5 Slot Fixed Wall 1		DWG No.
		Rev.	Date of issue	Sheet 1/1