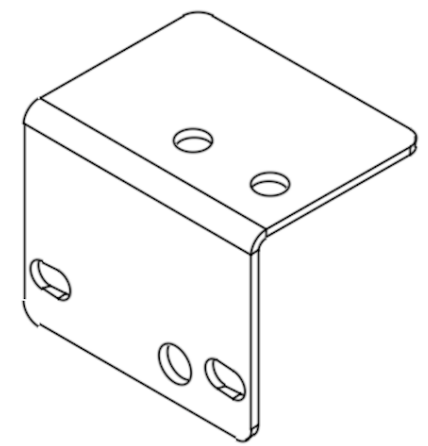


1 2 3 4 5 6 7 8

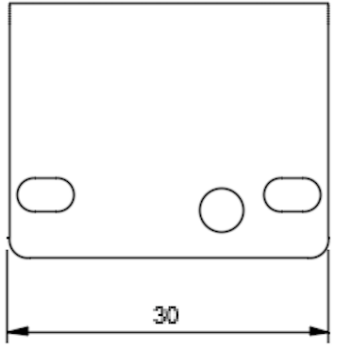
A

Name	Material	Quantity	
Pivoting Wheel Bracket	Alumminium 1mm	6	

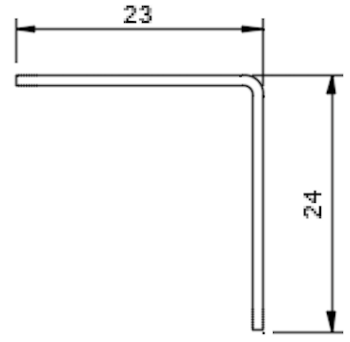
B



C



D



E

F

Dept.	Technical reference	Created by O.B	14/09/2023	Approved by
Aluminium 1 mm				
		Title U. rev4 b7		DWG No.
		Rev.	Date of issue	Sheet 1/1

1 2 3 4 5 6 7 8