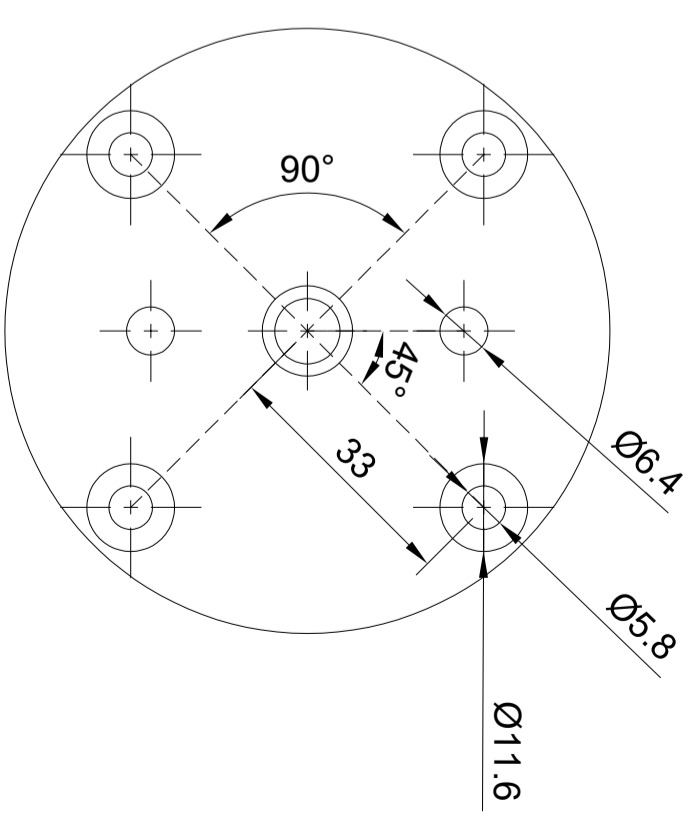
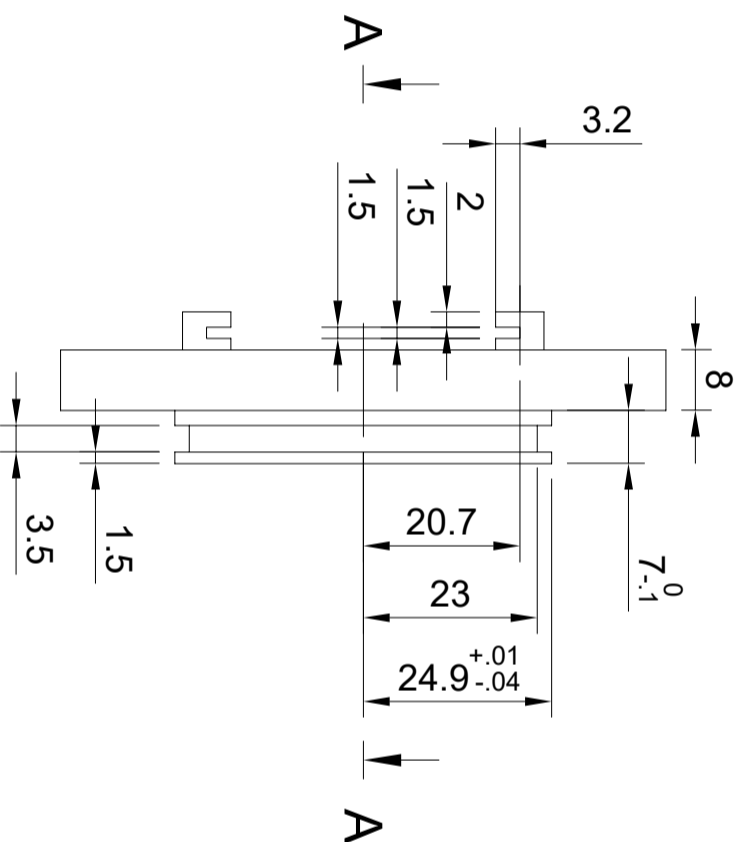
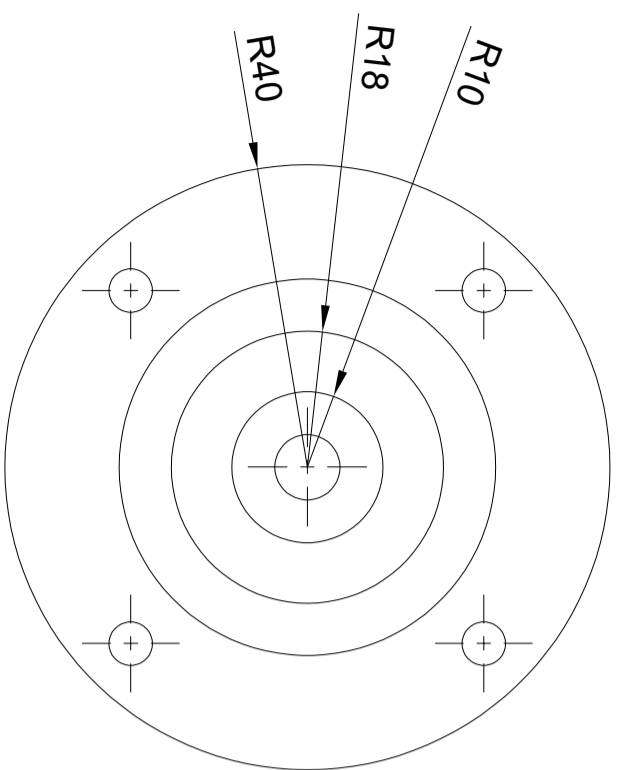
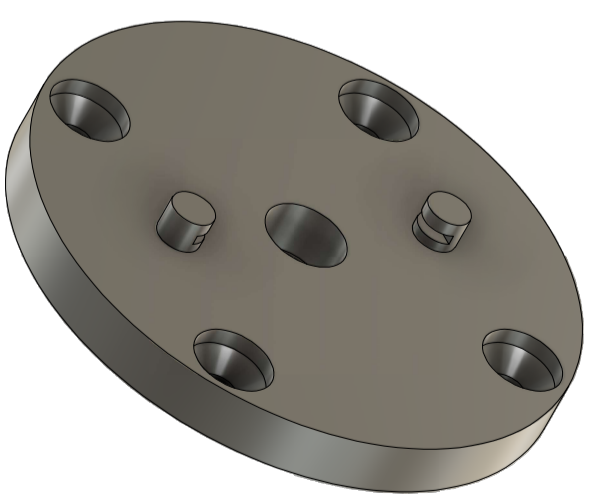


A-A (1:1)



Dept:	Technical reference	Created by	Approved by
Echelle 1		<b>Laurent Chiappini 15/10/2023</b>	
Aluminium	Document type	Title	Document status
2 exemplaires		<b>Couvercle vanne 4 voies</b>	
		DWG No.	
		Rev.	Date of issue
			Sheet
			<b>1/1</b>