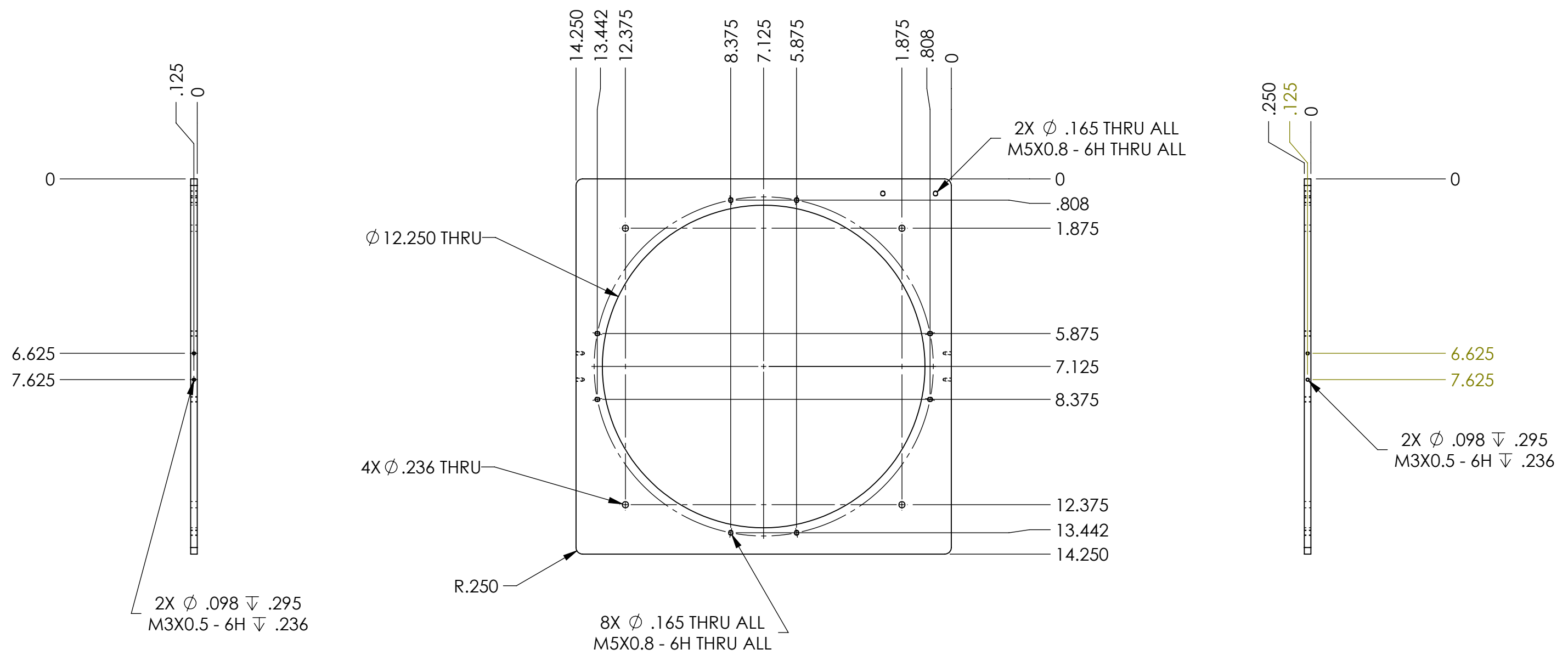


Confidential Information. Property of Merit Medical Systems, Inc.  
 Reproduction or use without written consent is prohibited.

REV.		ECN:	REVISIONS	DATE
001		ECN_#	DESCRIPTION	mm/yy
			INITIAL RELEASE	



DRAWING LINKED: No  
 if YES, indicate locations:

DIMENSIONS IN: INCHES/(mm)		DRAWN BY	DATE
TOLERANCES			
Inches:	mm:	L. Thomae	03/29/2023
X.X ± 0.1	X ± 3	MATERIAL: <b>316 SS</b>	
X.XX ± 0.01	X.X ± 0.3		
X.XXX ± 0.005	X.XX ± 0.13		
X.XXXX ± 0.0005	X.XXX ± 0.013		
FRAC. ± 1/16	ANGLE ± 1/2°	DO NOT SCALE BREAK ALL EDGES	



DRAWING TITLE: <b>PVA Washing Machine Guard Mounting Plate</b>		
SIZE <b>B</b>	THIRD ANGLE 	DRAWING NUMBER <b>E4334DWG046</b>
SCALE: <b>1:4</b>	SHEET <b>1</b> OF <b>1</b>	REV <b>001</b>