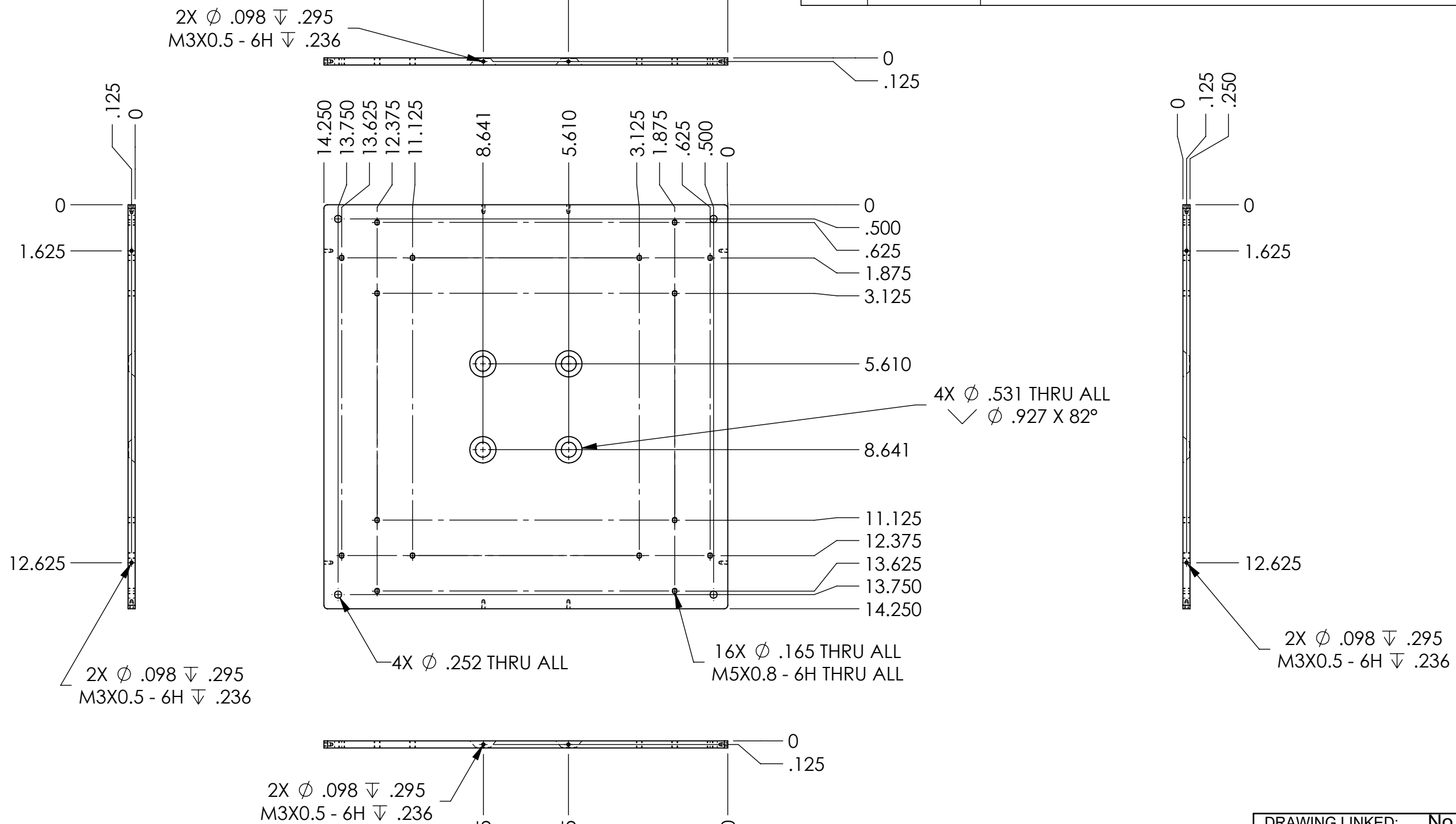


Confidential Information. Property of Merit Medical Systems, Inc.
 Reproduction or use without written consent is prohibited.

REV.		ECN:	REVISIONS	DATE
001		ECN_#	DESCRIPTION	mm/yy
			INITIAL RELEASE	



DRAWING LINKED: No
 if YES, indicate locations:

DIMENSIONS IN: INCHES/(mm)		DRAWN BY	DATE
TOLERANCES			
Inches:	mm:	L. Thomae	03/27/2023
X.X ± 0.1	X ± 3	MATERIAL: 316 SS	
X.XX ± 0.01	X.X ± 0.3		
X.XXX ± 0.005	X.XX ± 0.13		
X.XXXX ± 0.0005	X.XXX ± 0.013		
FRAC. ± 1/16	ANGLE ± 1/2°	DO NOT SCALE BREAK ALL EDGES	



DRAWING TITLE:		
PVA Washing Machine Cylinder Mount Plate		
SIZE	THIRD ANGLE	DRAWING NUMBER
B		E4334DWG004
SCALE:	1:4	SHEET 1 OF 1
		REV 001