

F E D C B A

4

3

2

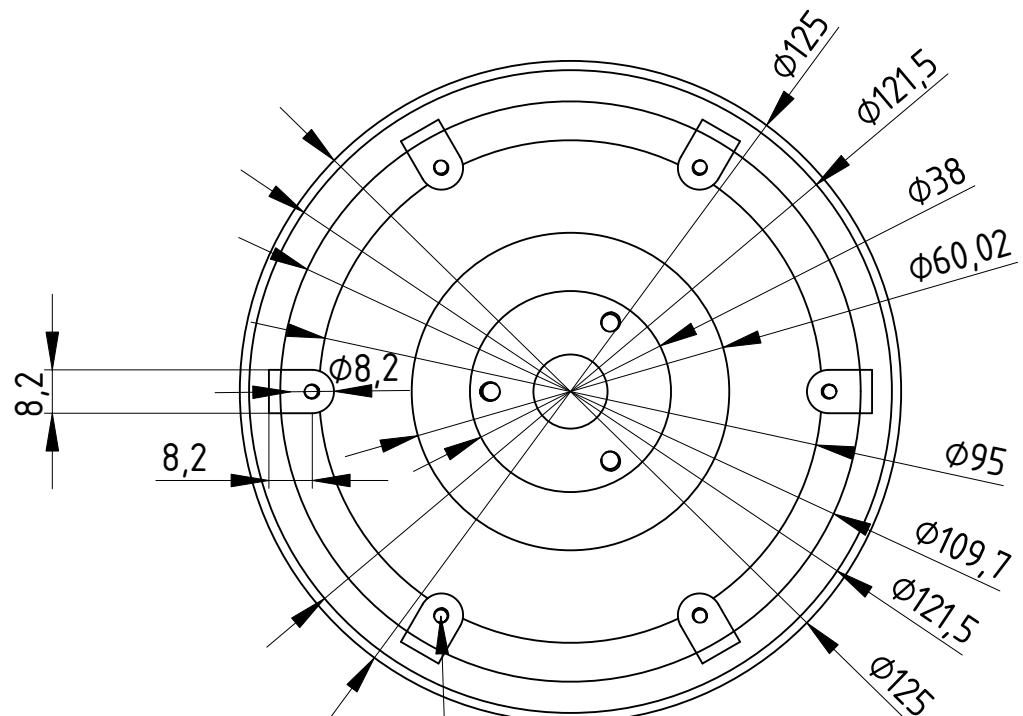
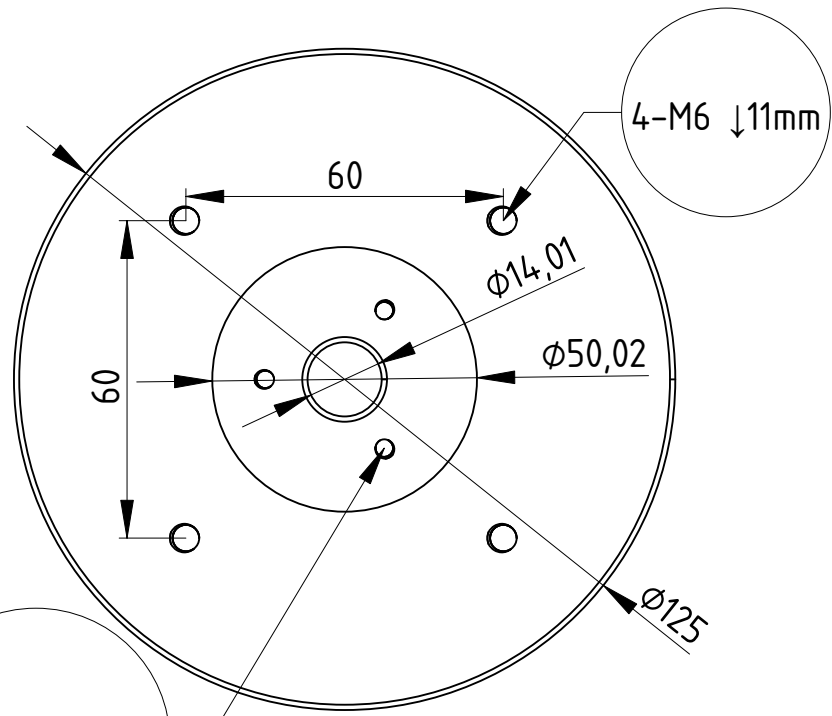
1

4

3

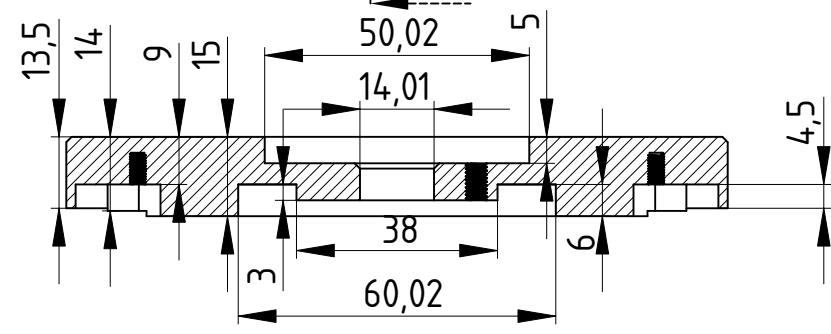
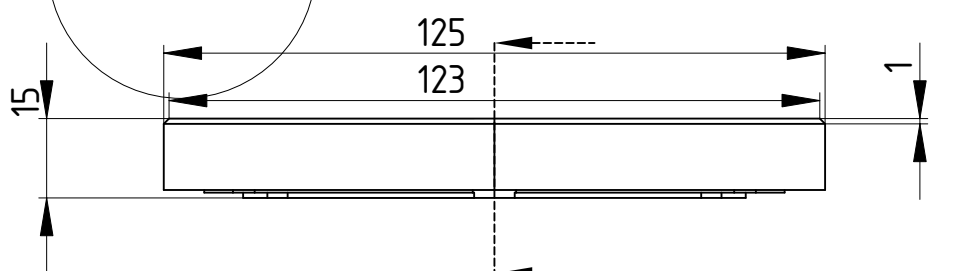
2

1



3-M4 Diam30mm

6-M3 \downarrow 16mm Diam98mm



DESIGNED BY: Benoit Talenton		turnit		G	-
DATE: 15/01/2024		plateau		F	-
SIZE A4	WEIGHT (kg)	DRAWING NUMBER 1	SHEET 1/2	E	-
SCALE 0.7				D	-
This drawing is our property; it can't be reproduced or communicated without our written consent.				C	-
				B	-
				A	-

F E D