

12

11

10

9

8

7

6

5

4

3

2

1

H

G

F

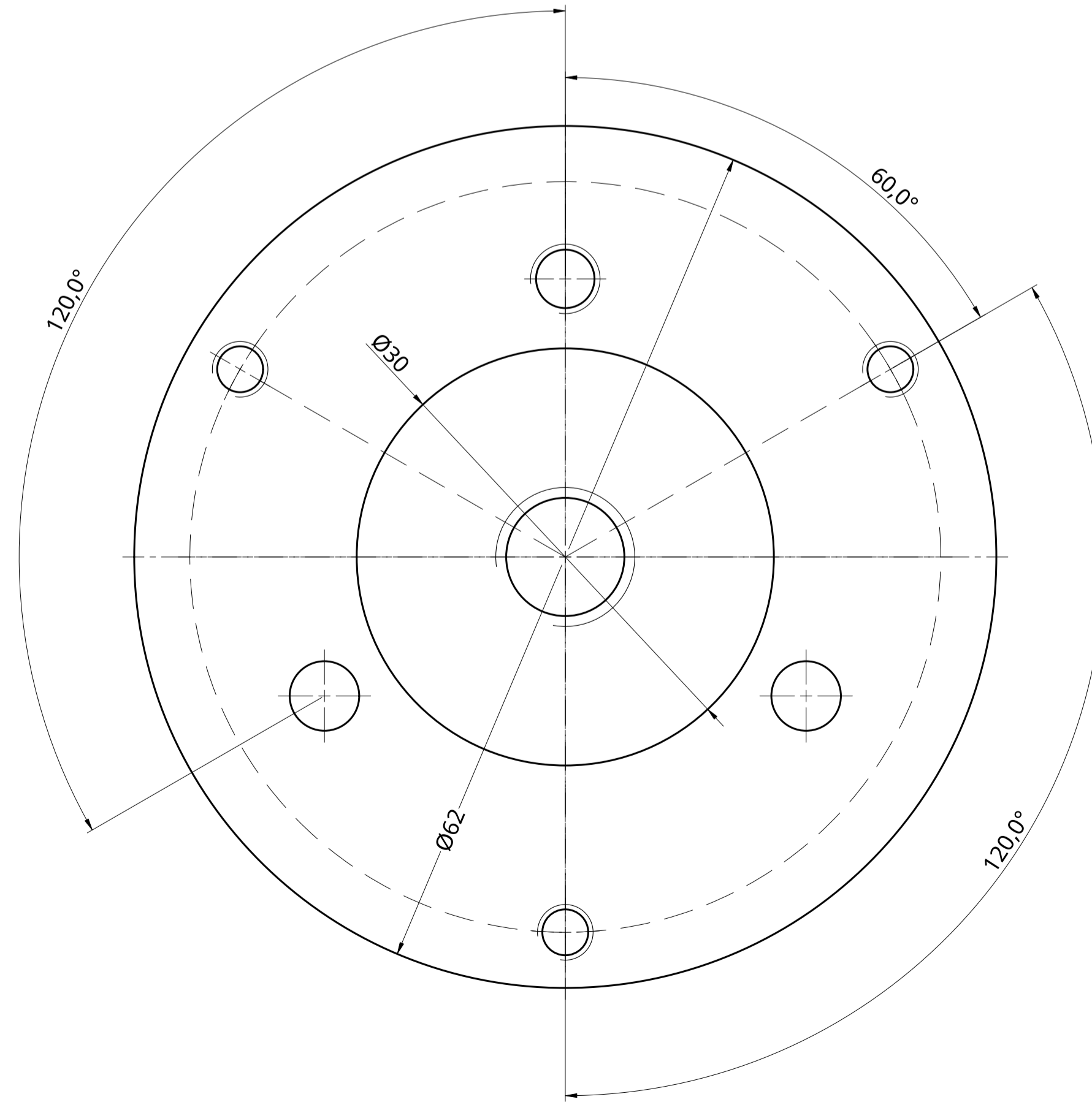
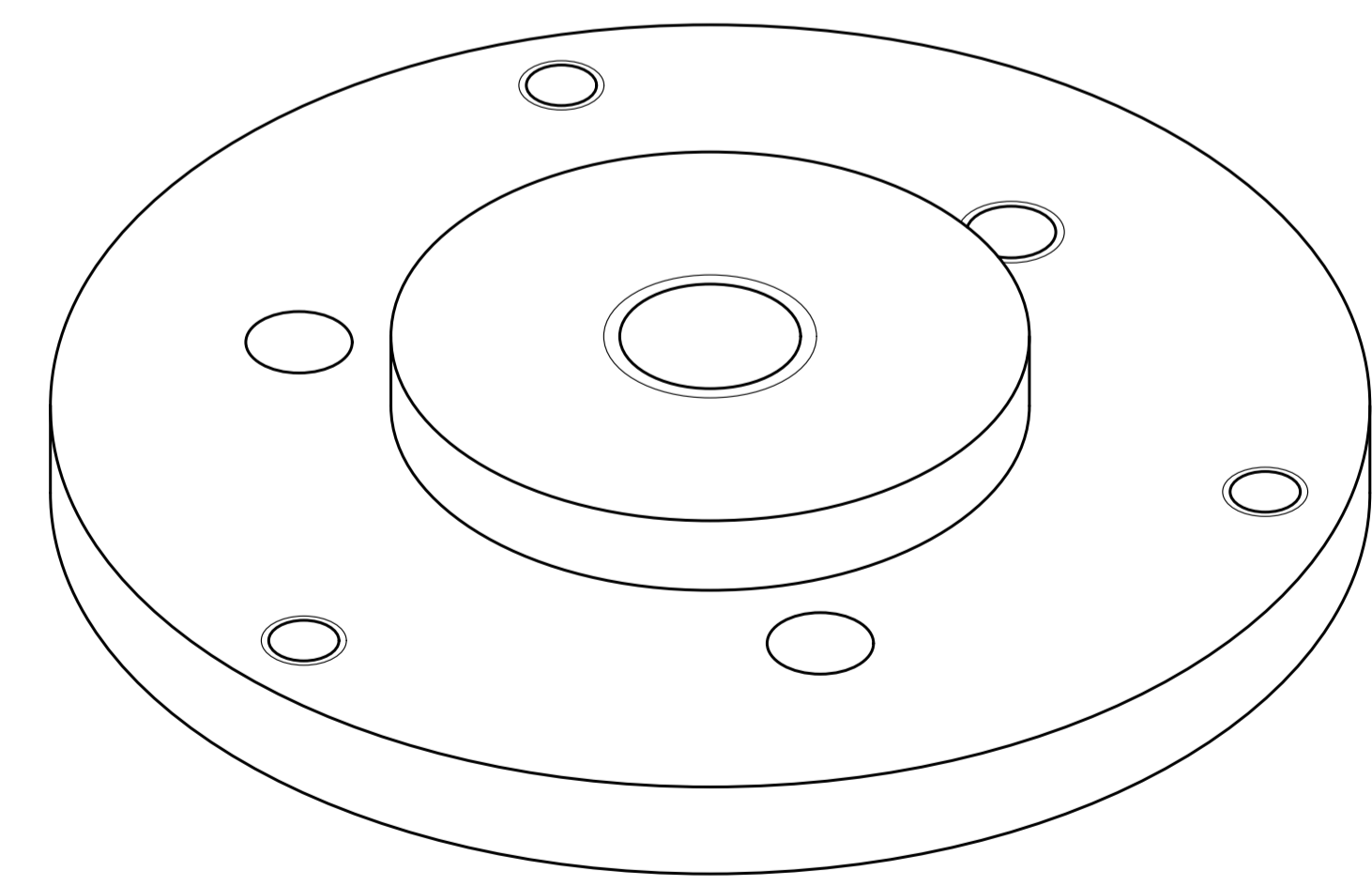
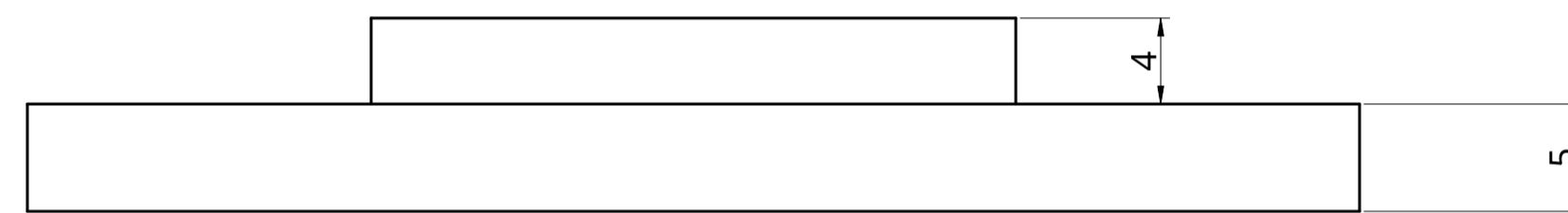
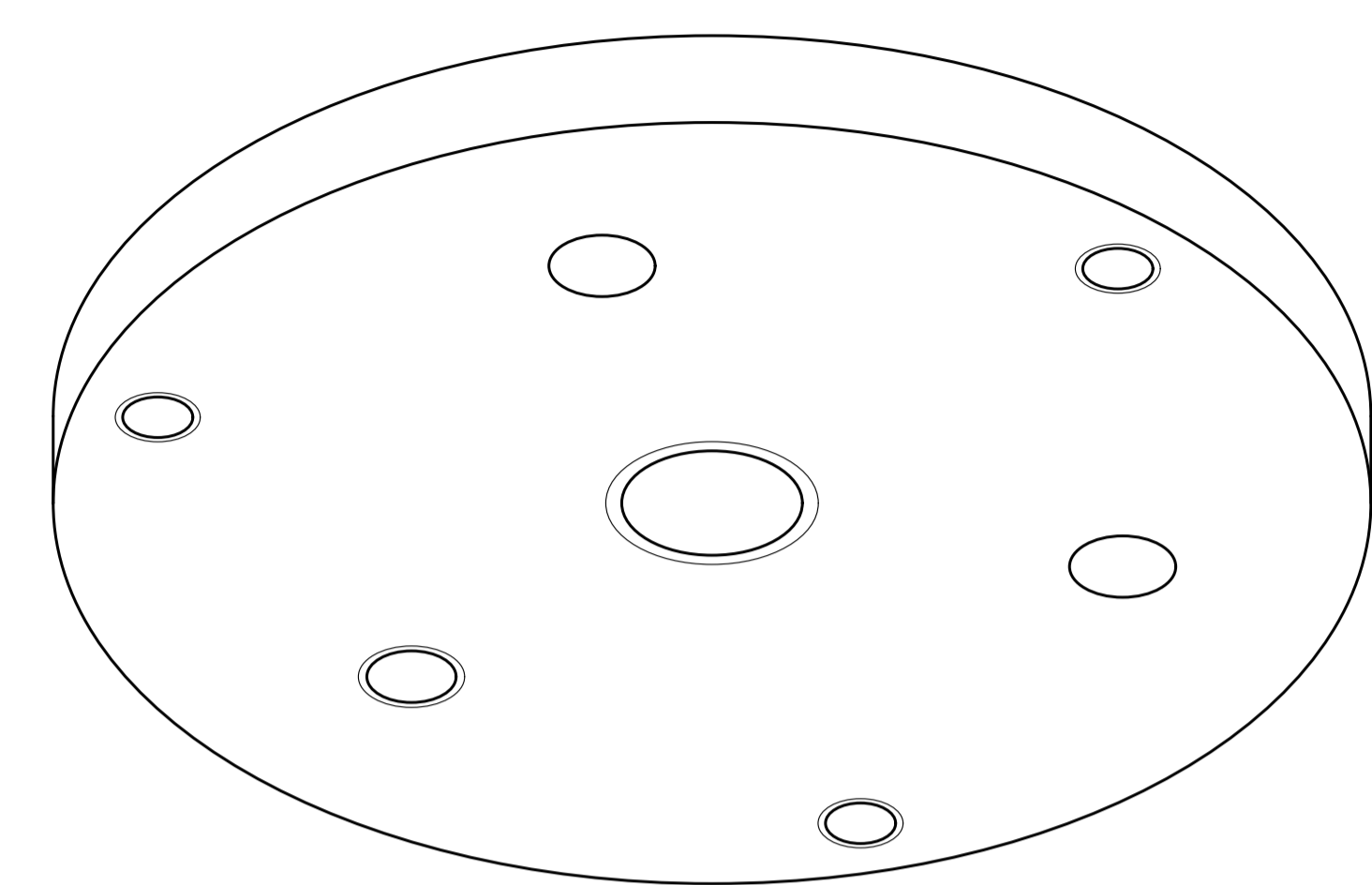
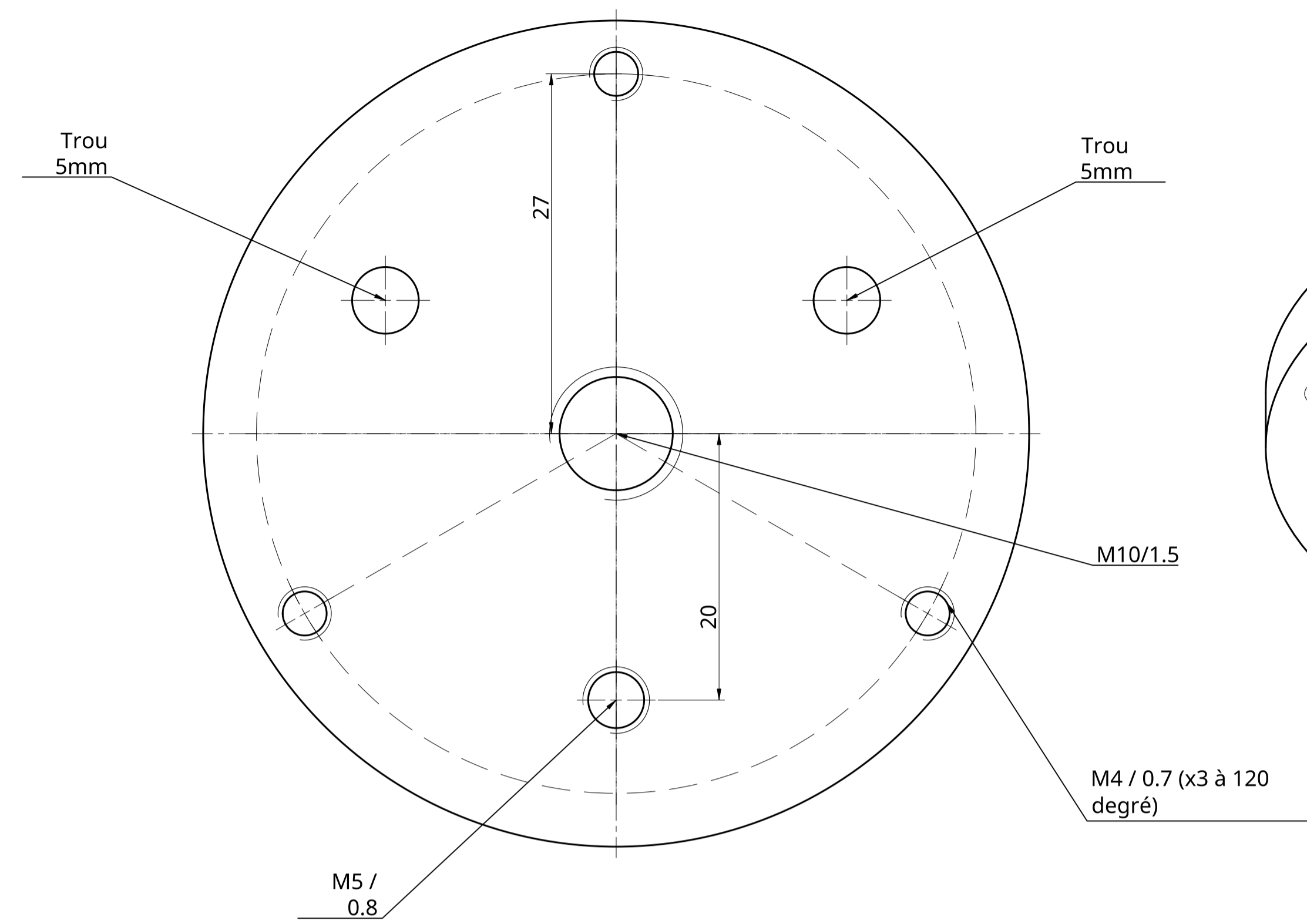
E

D

C

B

A



UNLESS OTHERWISE SPECIFIED, DIMENSIONS ARE IN MILLIMETERS				NAME		SIGNATURE		DATE	
DRAWN				LEO CAZALAA				2024-01-20	
CHECKED								TITLE	
APPROVED									
SURFACE FINISH									
DO NOT SCALE DRAWING									
BREAK ALL SHARP EDGES AND REMOVE BURRS									
FIRST ANGLE PROJECTION				MATERIAL		FINISH		SIZE A1 DWG NO.	
								SCALE 3:1 SHEET 1 of 1	

12

11

10

9

8

7

6

5

4

3

2

1

H

G

F

E

D

C

B

A