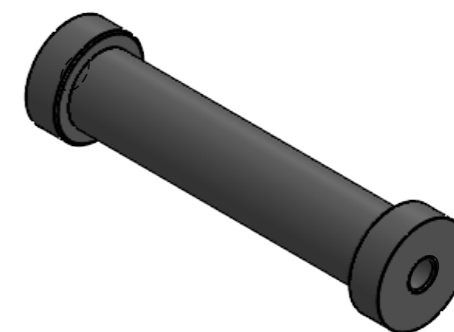
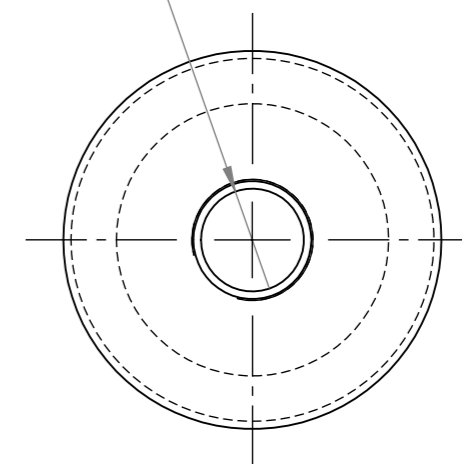


2 x $\phi 6,80 \nabla 30$
M8 - 6H $\nabla 16$

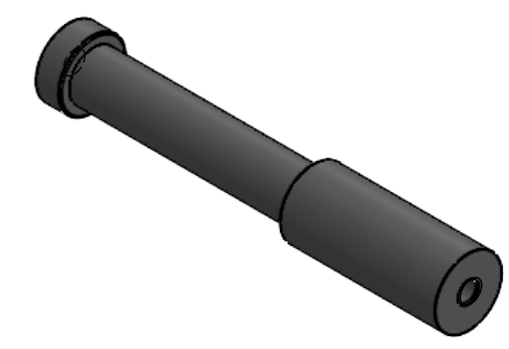
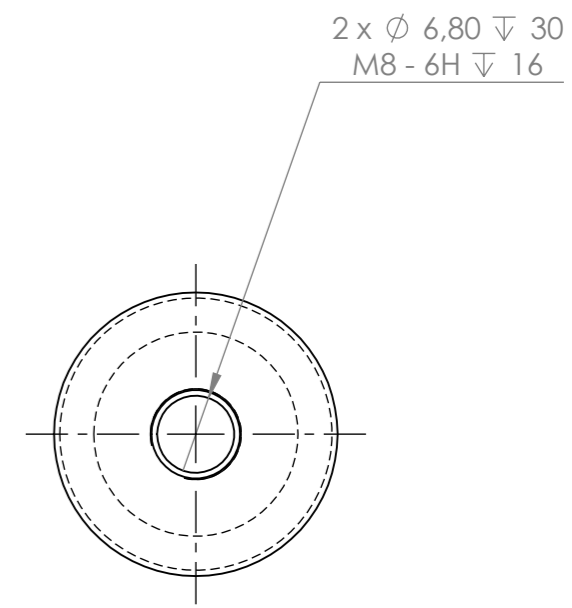
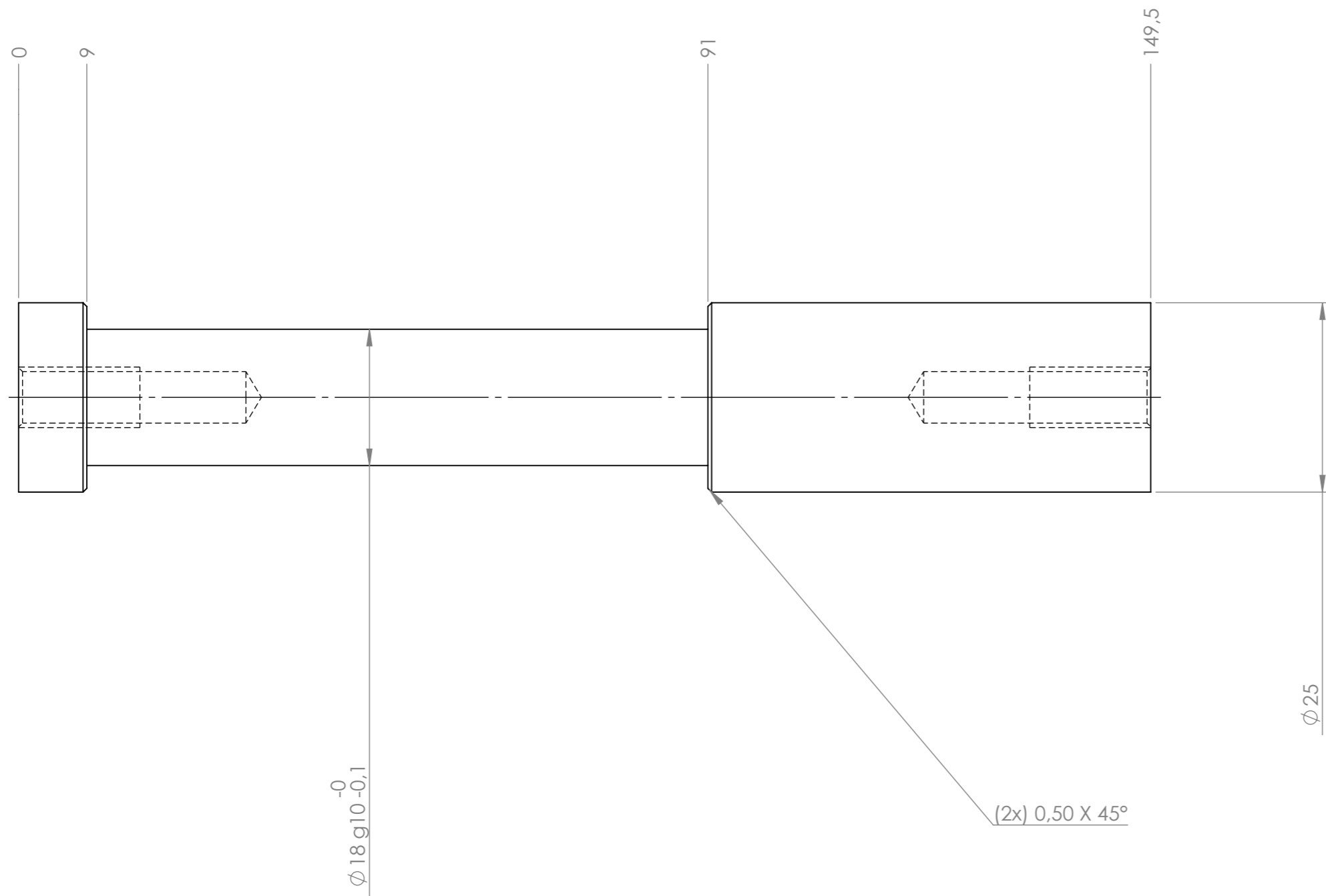


9 pièces

REV.	DATE	DESCRIPTION	
A3	General Tolerance: ± 0.1		General roughness: $\sqrt{1.6}$
	Material: PA 6 gf30 noir		
Mass: 30.19 g		Finishing:	
Part / Assembly: Barreau		Scale: 2:1	Folio: 1 of 2
PROJECT: Caisse navette T1000		DWG. NO:	Rev.



TEMQ France
Tel: (+33)2 85 52 26 42
Reproduction et diffusion interdites sans autorisation



2 pièces

REV.	DATE	DESCRIPTION	
	A3	General Tolerance: ± 0.1	General roughness: $\sqrt{1.6}$
Mass: 57.95 g	Finishing:	Material: PA 6 gf30 noir	
Part / Assembly: Barreau long		Scale: 3:2	Folio: 2 of 2
PROJECT: Caisse navette T1000		DWG. NO:	Rev.

TEMO France
 Tel: (+33)2 85 52 26 42
 Reproduction et diffusion interdites sans autorisation