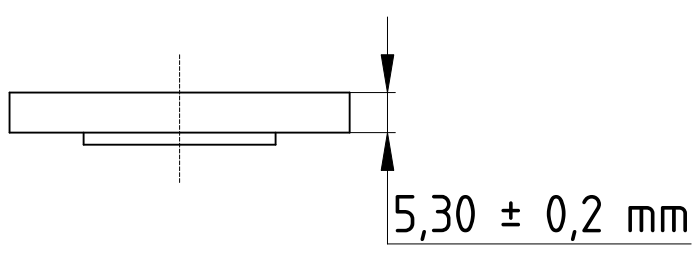
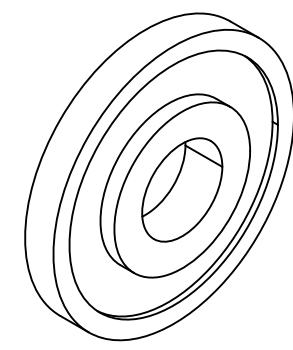
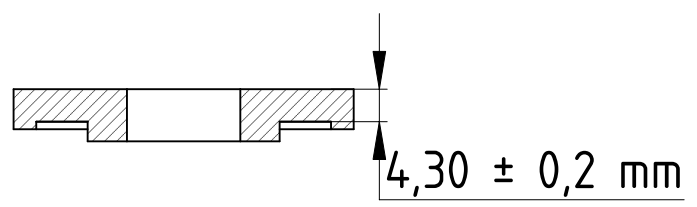
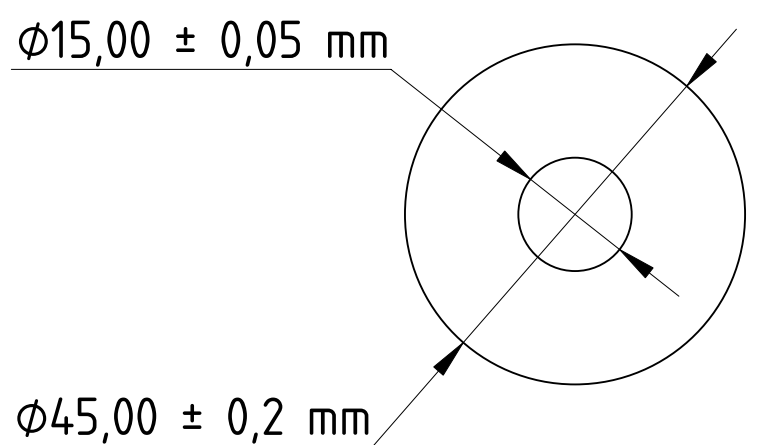
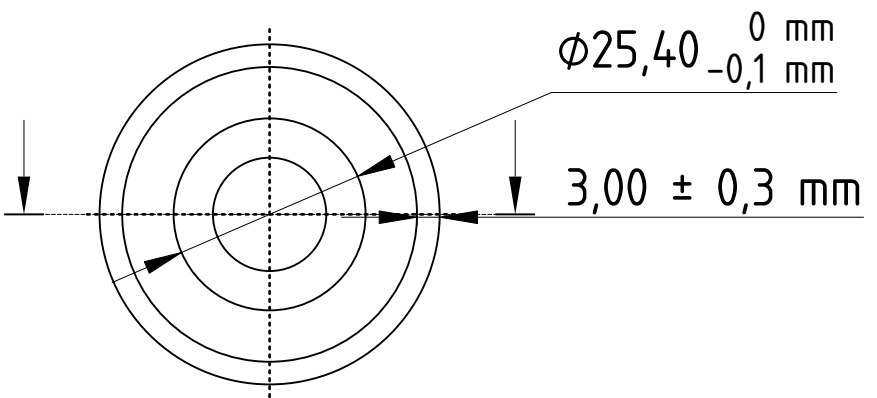



F E D C B A

4
3
2
1

4
3
2
1



DESIGNED BY: Didier AYESTEN		Bague centrage scie circulaire		G	—
DATE: 21/05/2024		pour lame avec perçage 25,4 mm		F	—
SIZE A4				E	—
SCALE 1:1				WEIGHT (kg) Acier	DRAWING NUMBER V1
SHEET 1/1				C	—
				B	—
				A	—

This drawing is our property; it can't be reproduced or communicated without our written consent.

F E D