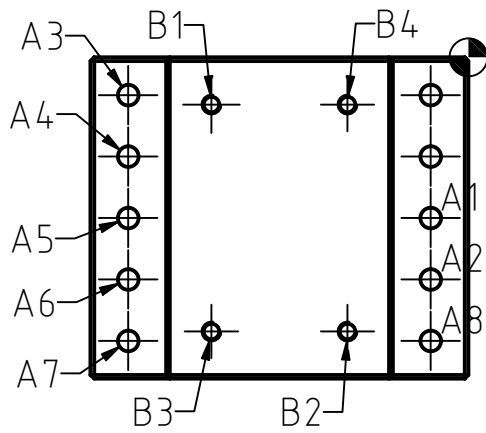
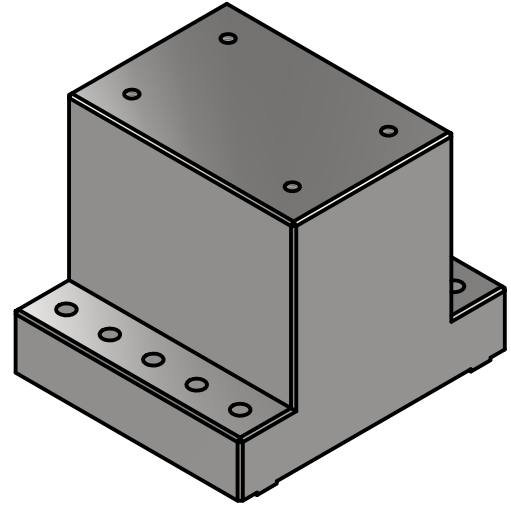


VIEW ISO (1 : 2)



Linear Dimensions: ± 0.1 mm
 Angular Dimensions: $\pm 0.2^\circ$
 Form and Position Tolerances:
 Straightness: ± 0.1 mm
 Flatness: ± 0.05 mm
 Parallelism: ± 0.05 mm
 Perpendicularity: ± 0.1 mm
 Coaxiality: ± 0.05 mm

HOLE TABLE

HOLE	XDIM	YDIM	DESCRIPTION
A1	-10,00	-42,50	$\varnothing 5,5$ -30 DEEP
A2	-10,00	-58,75	$\varnothing 5,5$ -30 DEEP
A3	-90,00	-10,00	$\varnothing 5,5$ -30 DEEP
A4	-90,00	-26,25	$\varnothing 5,5$ -30 DEEP
A5	-90,00	-42,50	$\varnothing 5,5$ -30 DEEP
A6	-90,00	-58,75	$\varnothing 5,5$ -30 DEEP
A7	-90,00	-75,00	$\varnothing 5,5$ -30 DEEP
A8	-10,00	-75,00	$\varnothing 5,5$ -30 DEEP
B1	-68,00	-12,50	M5x0.8 - 6H
B2	-32,00	-72,50	M5x0.8 - 6H
B3	-68,00	-72,50	M5x0.8 - 6H
B4	-32,00	-12,50	M5x0.8 - 6H

Name T.D	Date 02/06/2024	Scale 1 : 2	
Material: Steel, Alloy	P003-P043		
		Rev A	Sheet 1 / 1