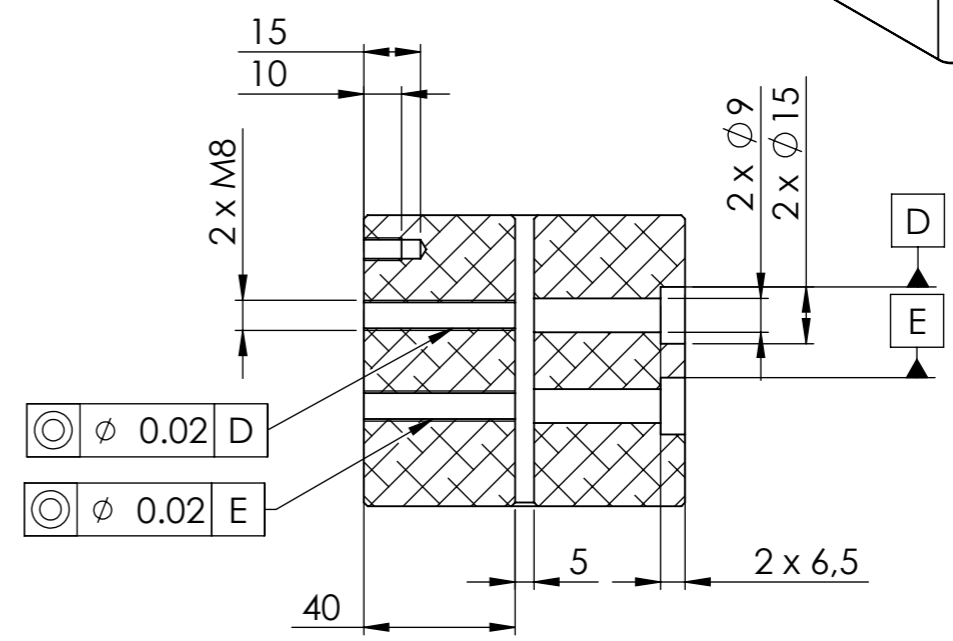
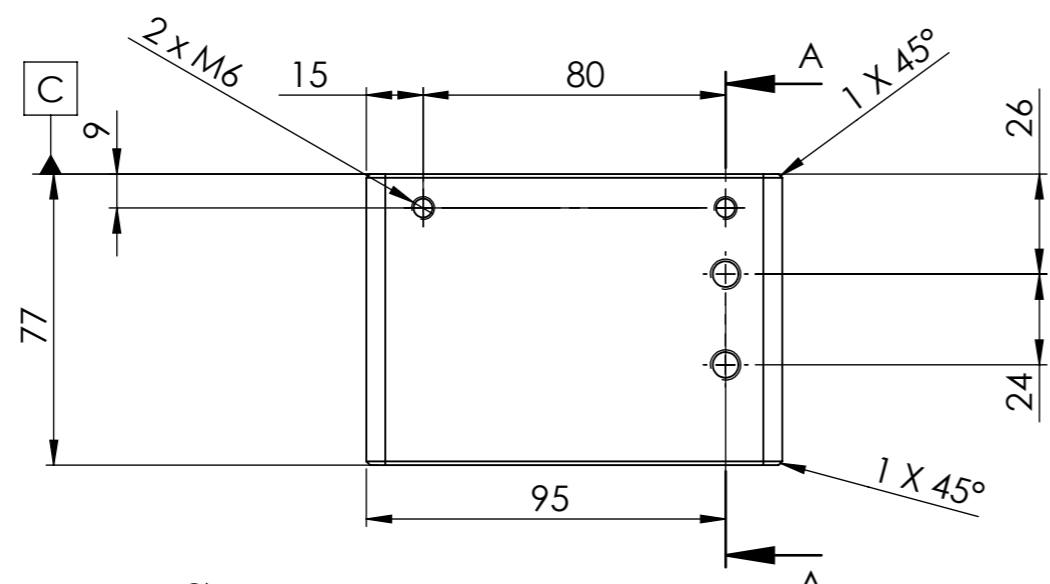
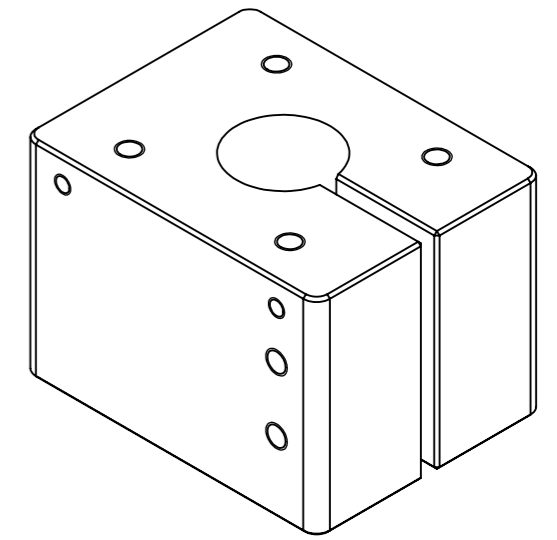
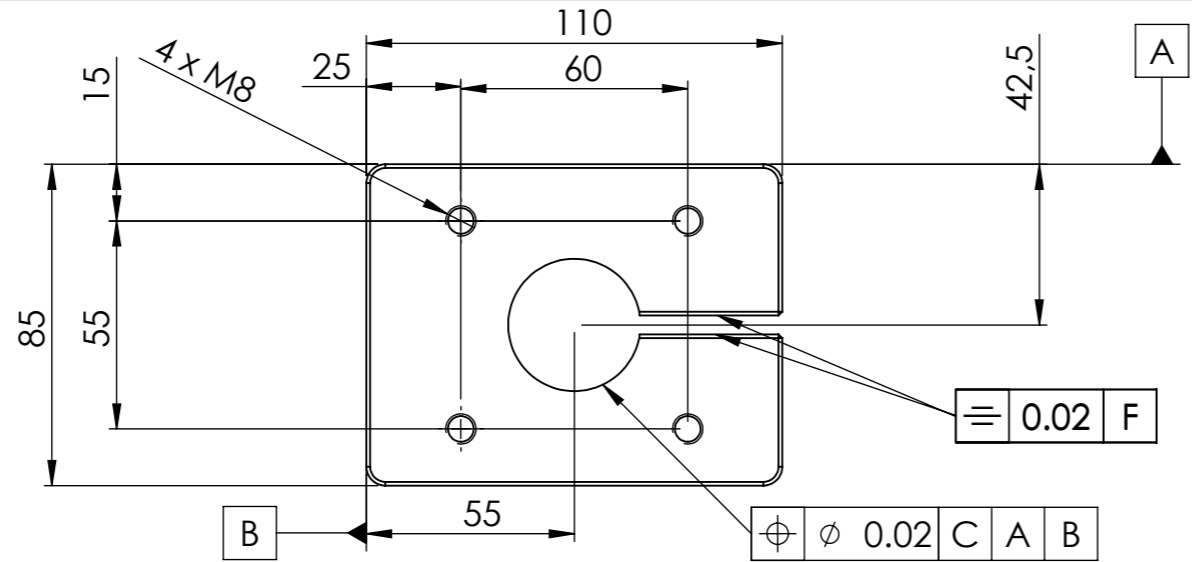


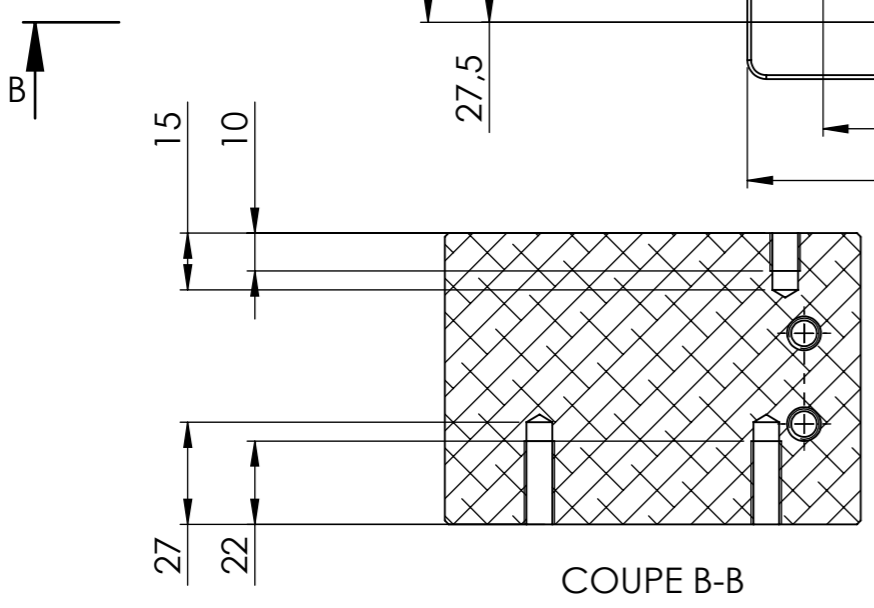
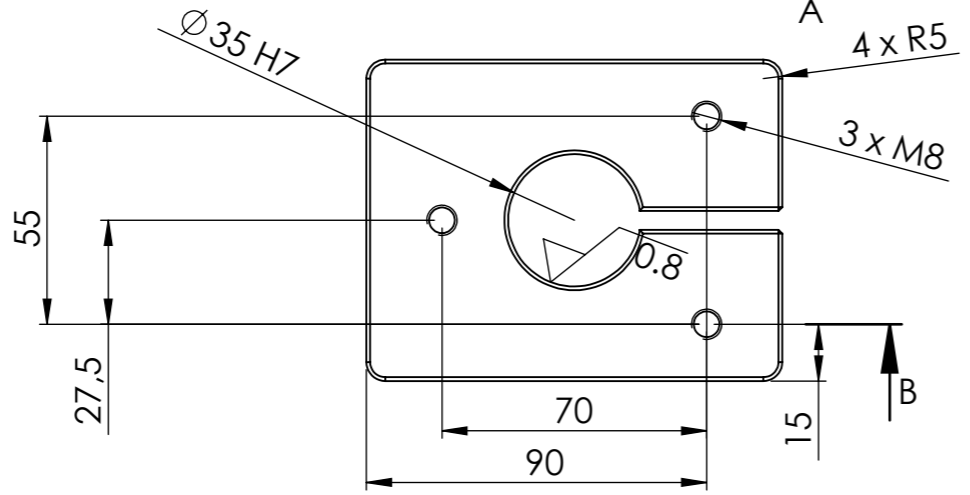
8 7 6 5 4 3 2 1

F
E
D
C
B
A

F
E
D
C
B
A



COUPE A-A



COUPE B-B



Weight		Material	
kg		ALUMINIUM	
Machine		Description	
INJ X-WING		BLOC ENTRAXE FIXATION	
Projection method:		Release date	Drawing no.
First angle		04/2024	XWG0102
General tolerances		Doc. type	Units unless specified
ISO 2768-m		Part	mm
		Sheet size	Scale
		A3	1:2
		Sheet	Sheet
		1 / 1	
		Rev.	
		D	

8 7 6 5 4 3 2 1