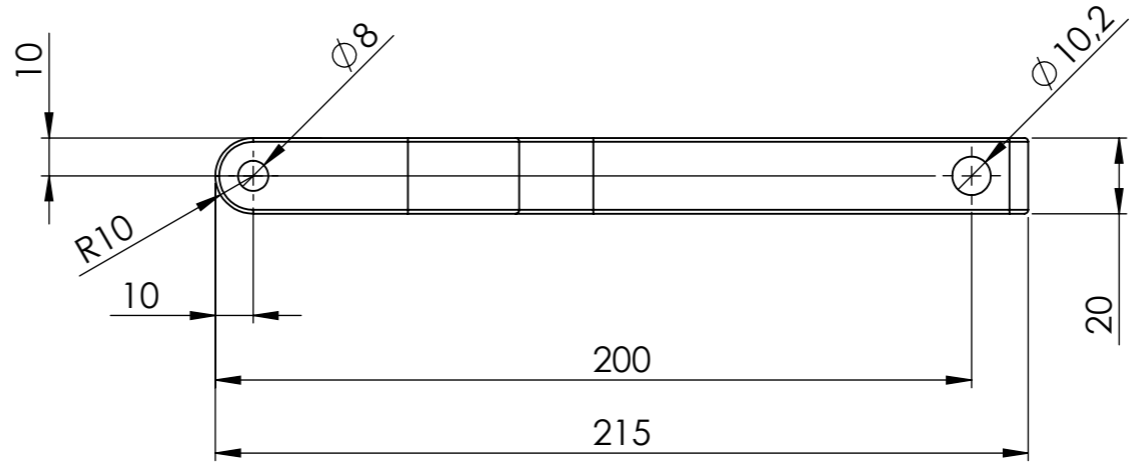
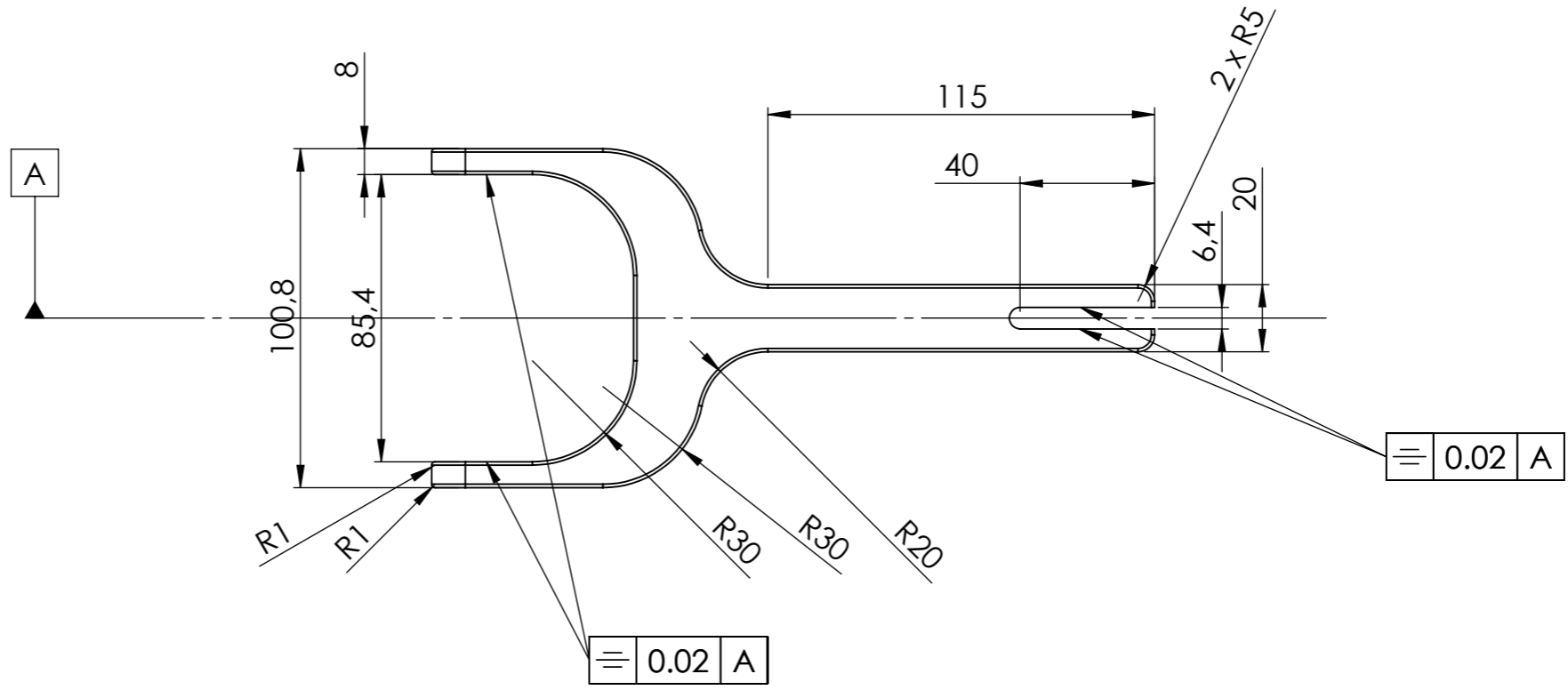
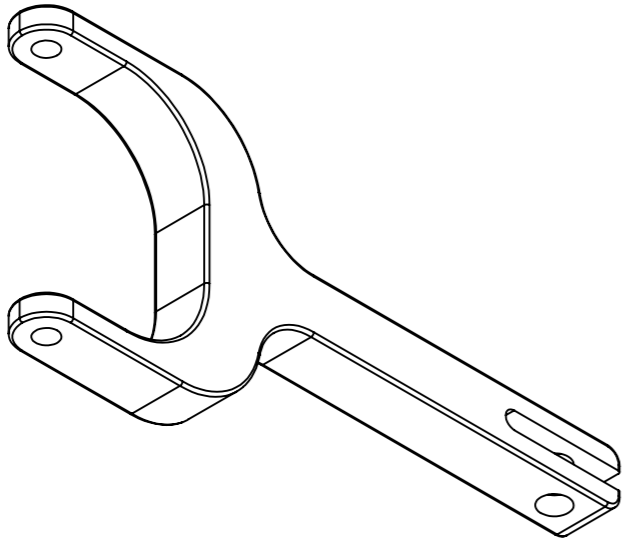
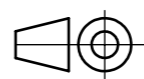


8 7 6 5 4 3 2 1

F
E
D
C
B
A

F
E
D
C
B
A



Weight		Material		
kg		ALUMINIUM		
Machine		Description		
INJ X-WING		FOURCHETTE MANCHE		
Projection method:		Release date	Drawing no.	Rev.
First angle 		04/2024	XWG0402	C
General tolerances		Doc. type	Units unless specified	Sheet size
ISO 2768-m		Part	mm	A3
		Scale	Sheet	
		1:2	1 / 1	

8 7 6 5 4 3 2 1