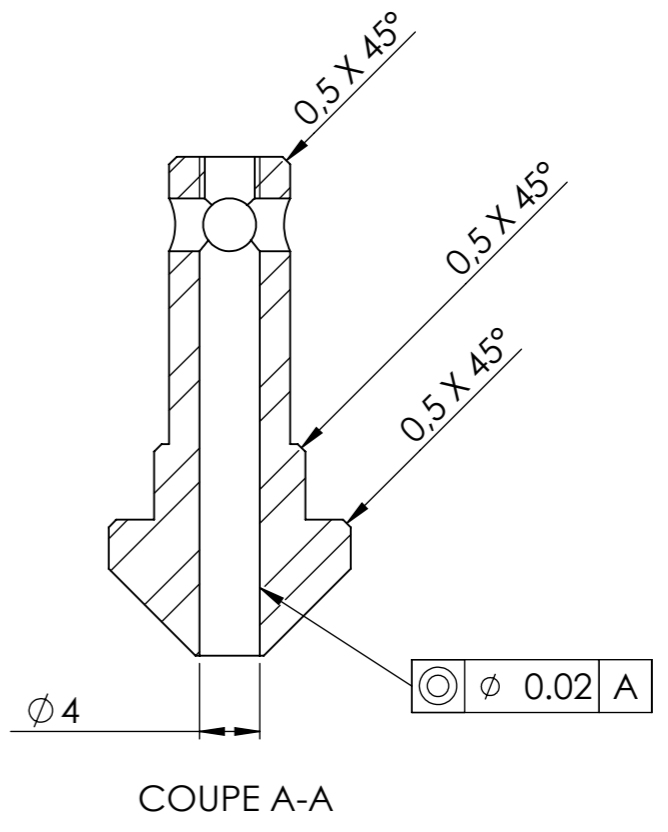
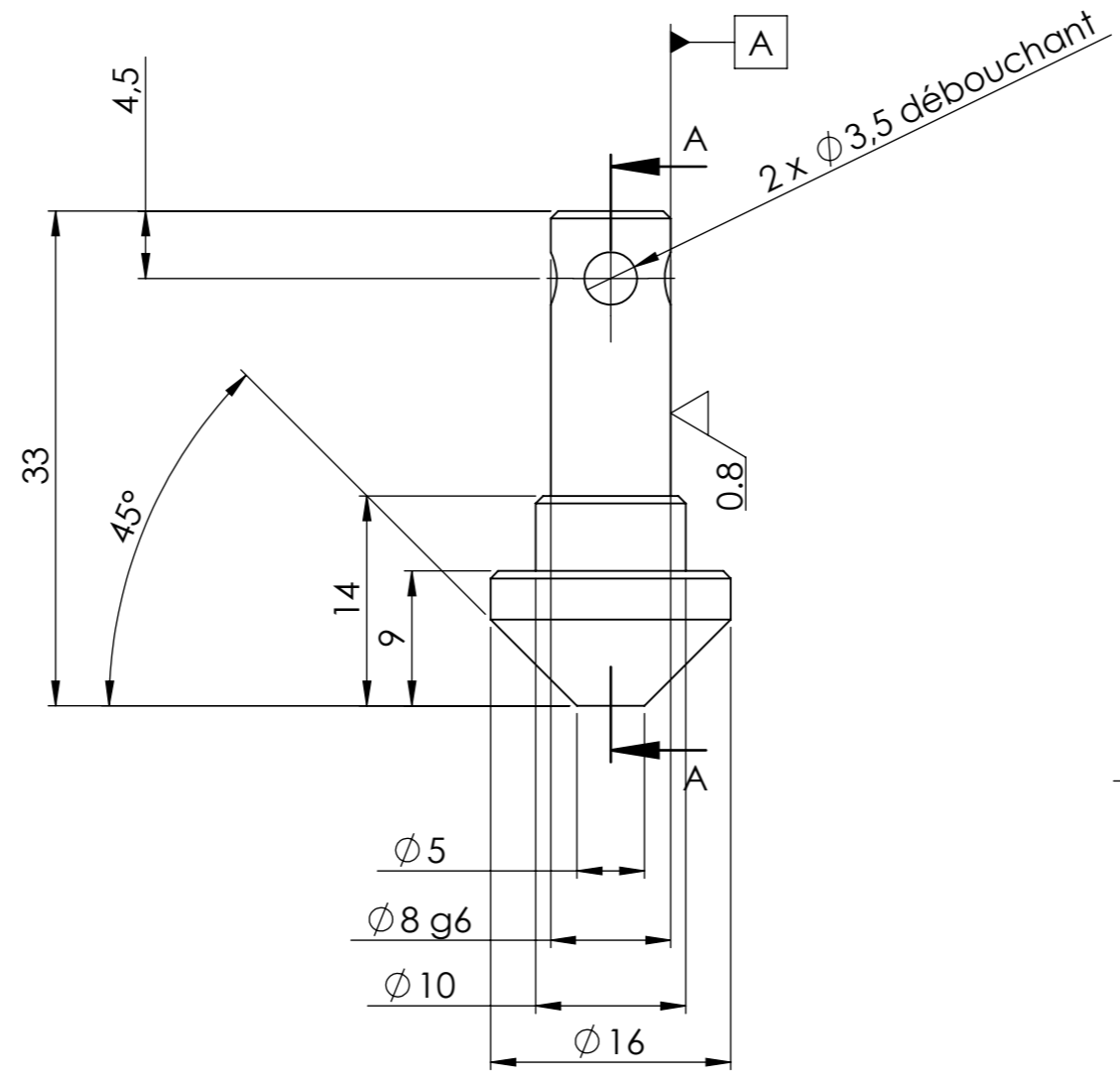
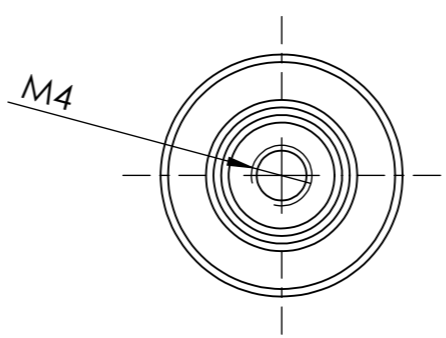
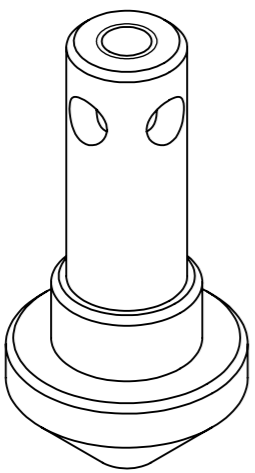
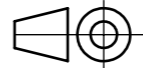


8 7 6 5 4 3 2 1

F
E
D
C
B
A

F
E
D
C
B
A



Weight		Material			
kg		ACIER INOXYDABLE			
Machine		Description			
INJ X-WING		EMBOUT BUSE			
Projection method:		Release date	Drawing no.		Rev.
First angle 		04/2024	XWG0104		D
General tolerances		Doc. type	Units unless specified	Sheet size	Scale
ISO 2768-m		Part	mm	A3	2:1
					Sheet
					1 / 1

8 7 6 5 4 3 2 1