

8 7 6 5 4 3 2 1

F F

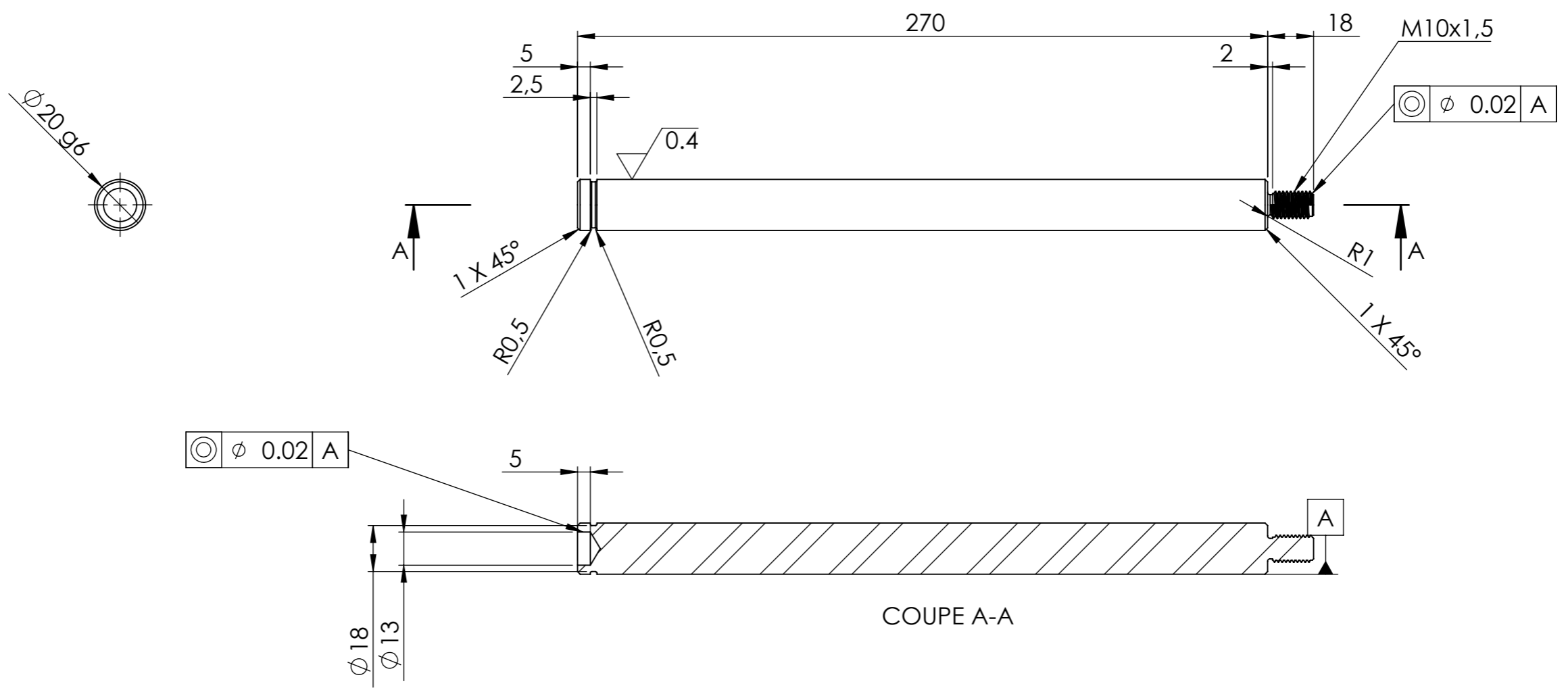
E E

D D

C C

B B

A A



Weight		Material			
kg		ACIER INOXYDABLE			
Machine		Description			
INJ X-WING		TIGE PISTON			
Projection method:		Release date	Drawing no.		Rev.
First angle		04/2024	XWG0401		C
General tolerances		Doc. type	Units unless specified	Sheet size	Scale
ISO 2768-m		Part	mm	A3	1:2
					Sheet
					1 / 1

8 7 6 5 4 3 2 1