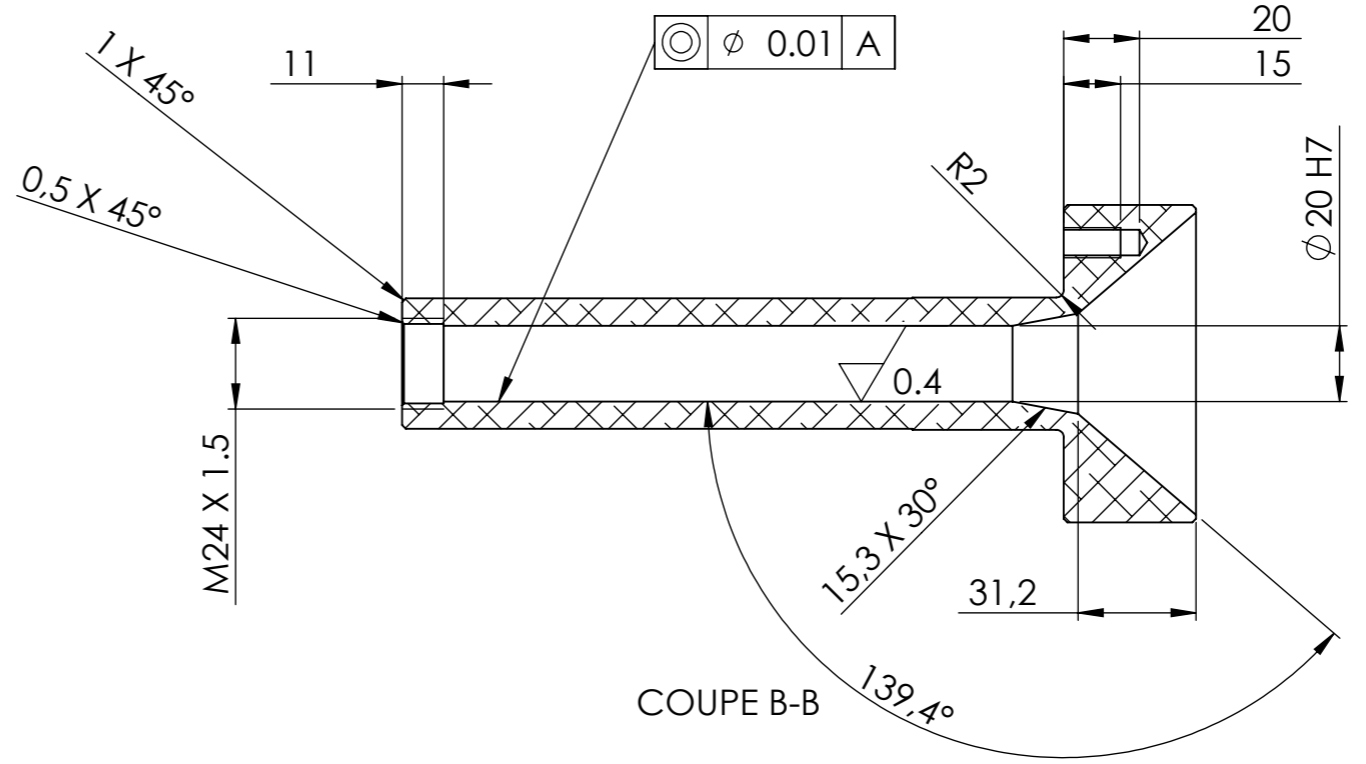
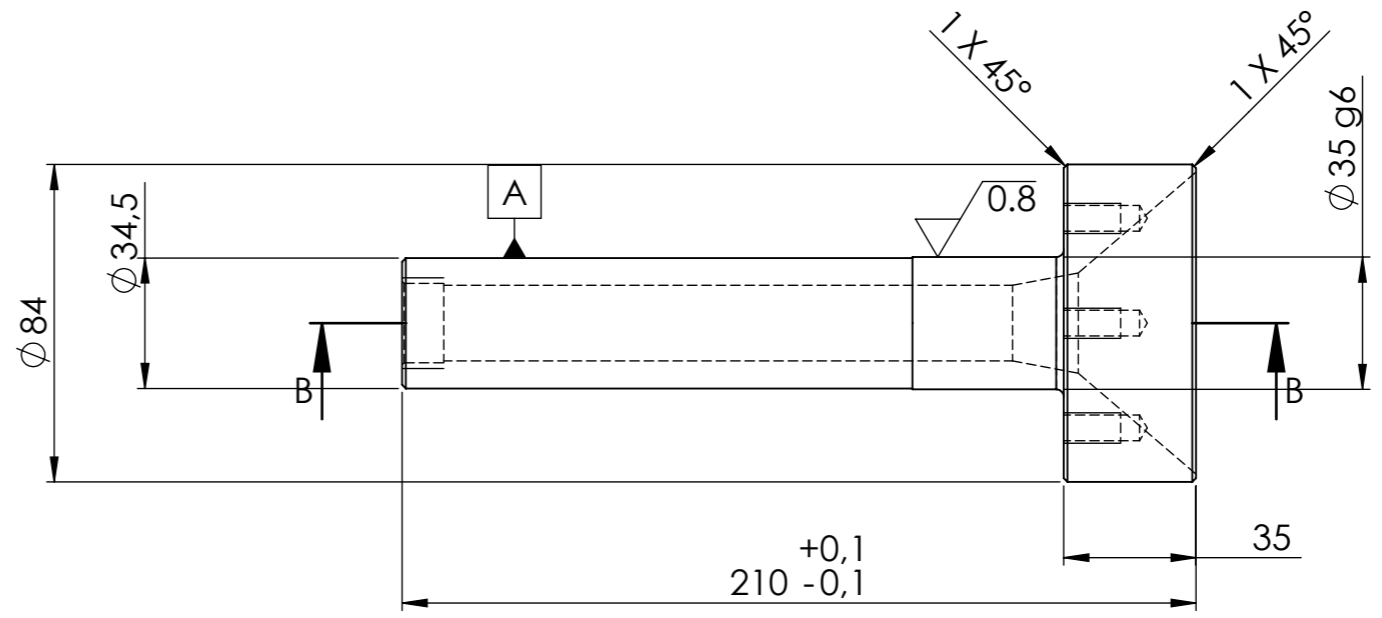
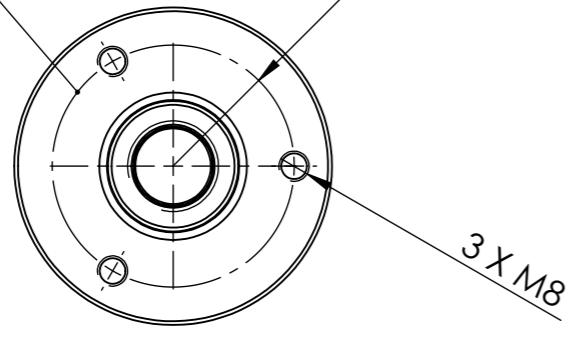
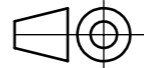


⊙  $\phi$  0.02 A



⊙  $\phi$  0.01 A



Weight		Material	
kg		ALUMINIUM	
Machine		Description	
INJ X-WING		ENTONNOIR	
Projection method:		Release date	Drawing no.
First angle 		04/2024	XWG0103
General tolerances		Doc. type	Units unless specified
ISO 2768-m		Part	mm
		Sheet size	Scale
		A3	1:2
		Sheet	Sheet
		1 / 1	

Rev. D

1 / 1