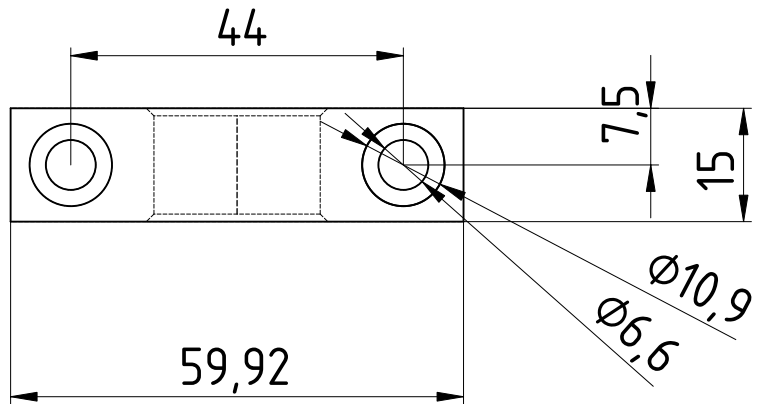
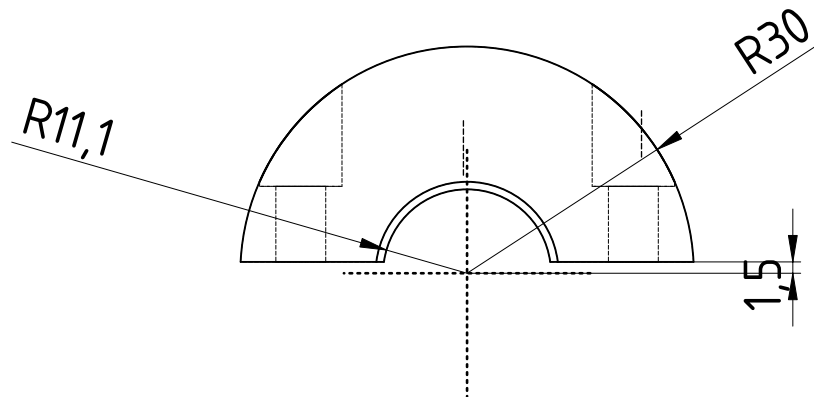
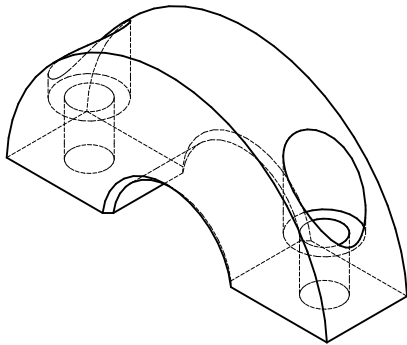


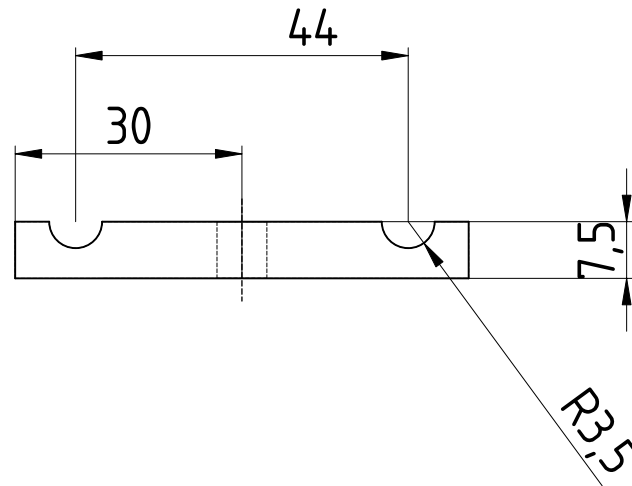
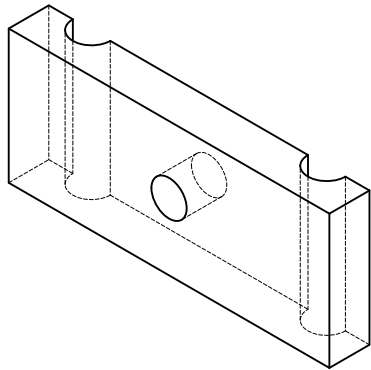
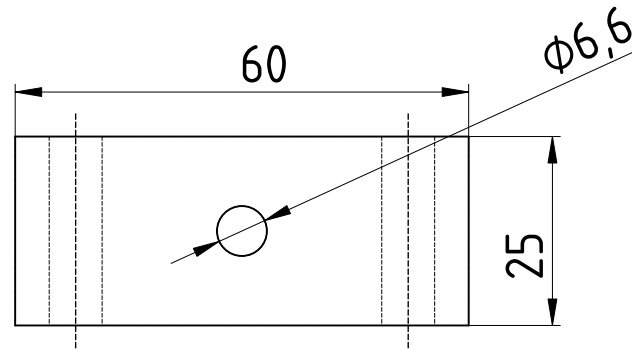
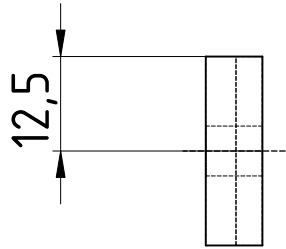
Author: Loïc Guinais	Legal owner: Loïc Guinais	Scale: M x:x	Sheet: 99 of 99
Appr.: APPROVER NAME		Toler.: +/- ?	Size: A4
TITLE: Bon voyage - Project 1 - Main Body		Part material: PM	
		Part number: PN	
		Drawing no.: DN	
Document type: Mechanical assembly drawing		Date: 2024-06-16	Revision: REV A
(R) DO NOT DUPLICATE THIS DRAWING TO THIRD PARTIES WITHOUT OWNER'S PERMISSION !			





Author: Loïc Guinais	Legal owner:	Scale: M x:x	Sheet: 99 of 99
Appr: APPROVER NAME	Loïc Guinais	Toler: +/- ?	Size: A4
TITLE: Bon voyage - Project 1		Part material: PM	
		Part number: PN	
		Drawing no.: DN	
		Date:	Revision:
		2024-06-16	REV A
Document type: Mechanical assembly drawing			
(R) DO NOT DUPLICATE THIS DRAWING TO THIRD PARTIES WITHOUT OWNER'S PERMISSION !			





Author: Loïc Guinais	Legal owner:	Scale: M x:x	Sheet: 99 of 99
Appr.: APPROVER NAME	Loïc Guinais	Toler.: +/- ?	Size: A4
TITLE: Bon voyage - Project 1		Part material: PM	
		Part number: PN	
		Drawing no.: DN	
Document type: Mechanical assembly drawing		Date: 2024-06-16	Revision: REV A
(R) DO NOT DUPLICATE THIS DRAWING TO THIRD PARTIES WITHOUT OWNER'S PERMISSION !			

