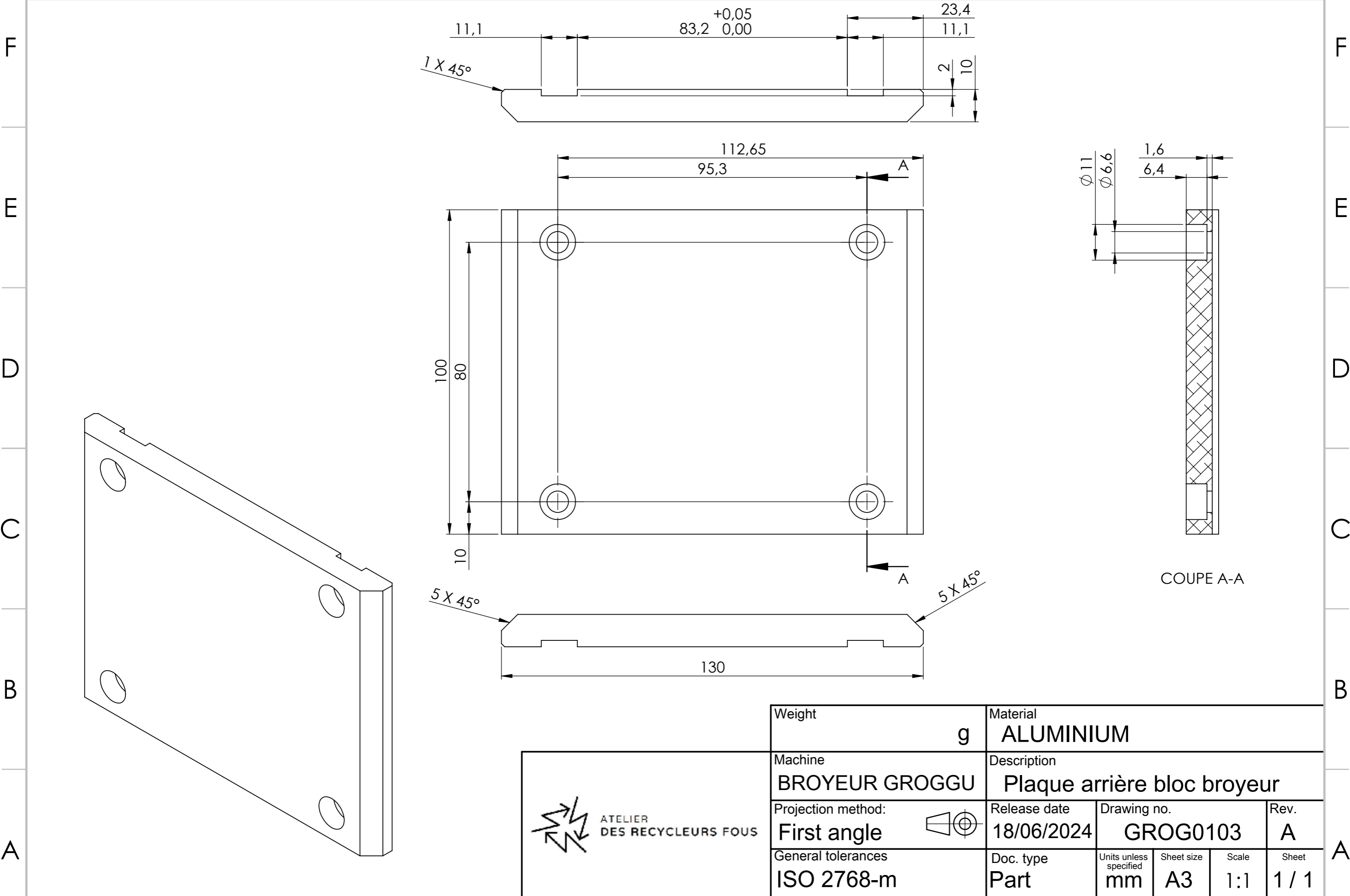


8 7 6 5 4 3 2 1



Weight		g		Material		ALUMINIUM		
Machine		BROYEUR GROGGU		Description				Plaque arrière bloc broyeur
Projection method:		First angle		Release date		Drawing no.		Rev.
				18/06/2024		GROG0103		A
General tolerances		ISO 2768-m		Doc. type		Units unless specified		Sheet
				Part		mm A3		1 / 1
				Scale		1:1		

8 7 6 5 4 3 2 1