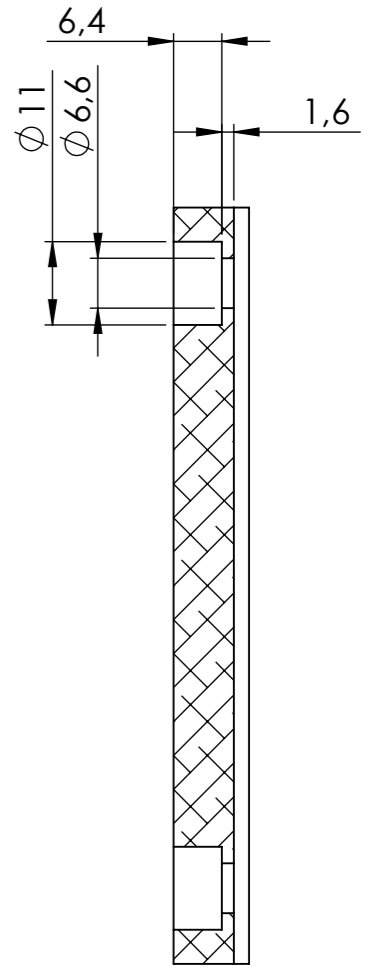
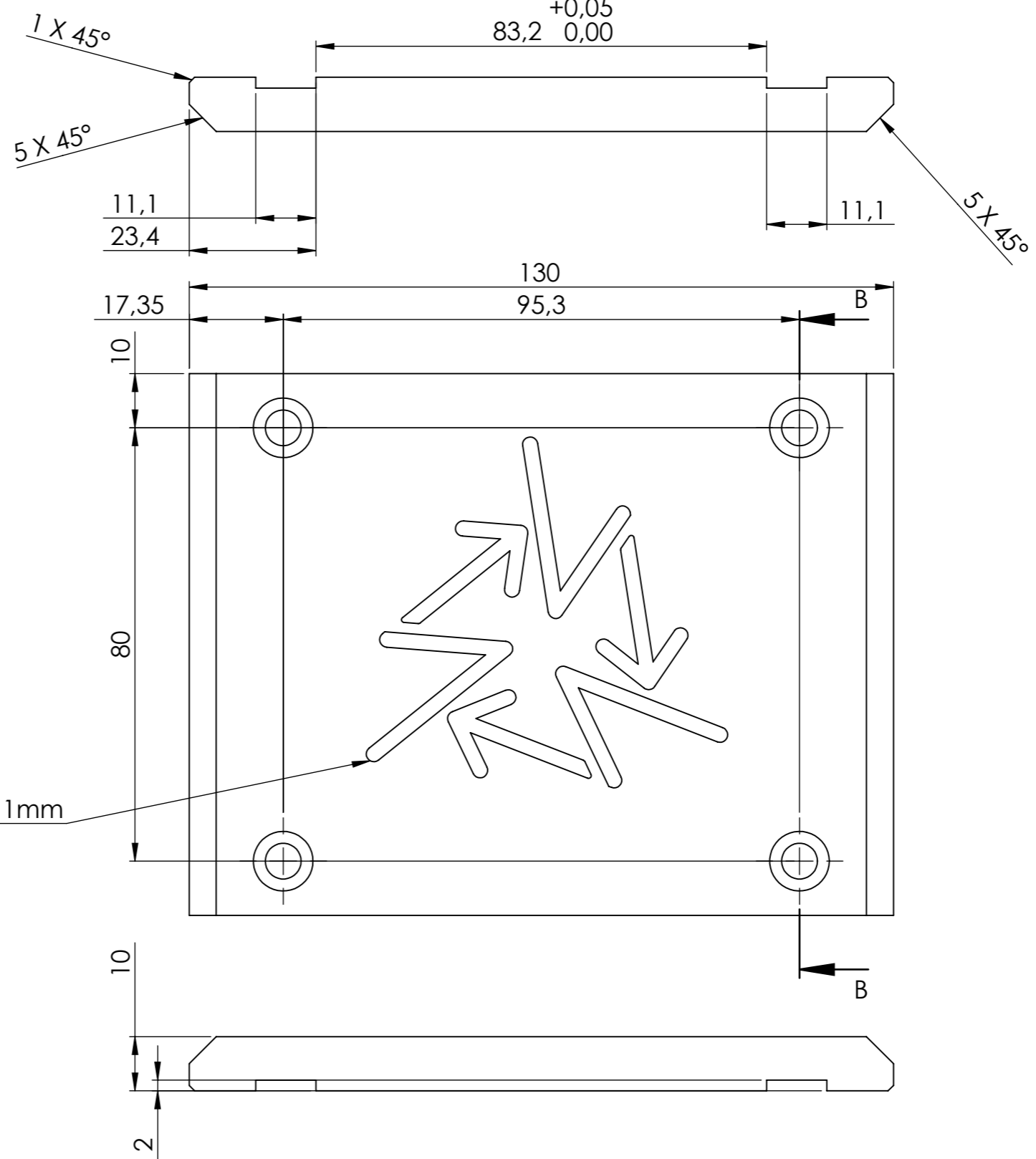


Gravure sur 1mm



Weight		Material	
g		ALUMINIUM	
Machine		Description	
BROYEUR GROGGU		Plaque avant bloc broyeur	
Projection method:		Release date	Drawing no.
First angle		18/06/2024	GROG0102
General tolerances		Doc. type	Units unless specified
ISO 2768-m		Part	mm
		Sheet size	Scale
		A3	1:1
		Rev.	Sheet
		A	1 / 1