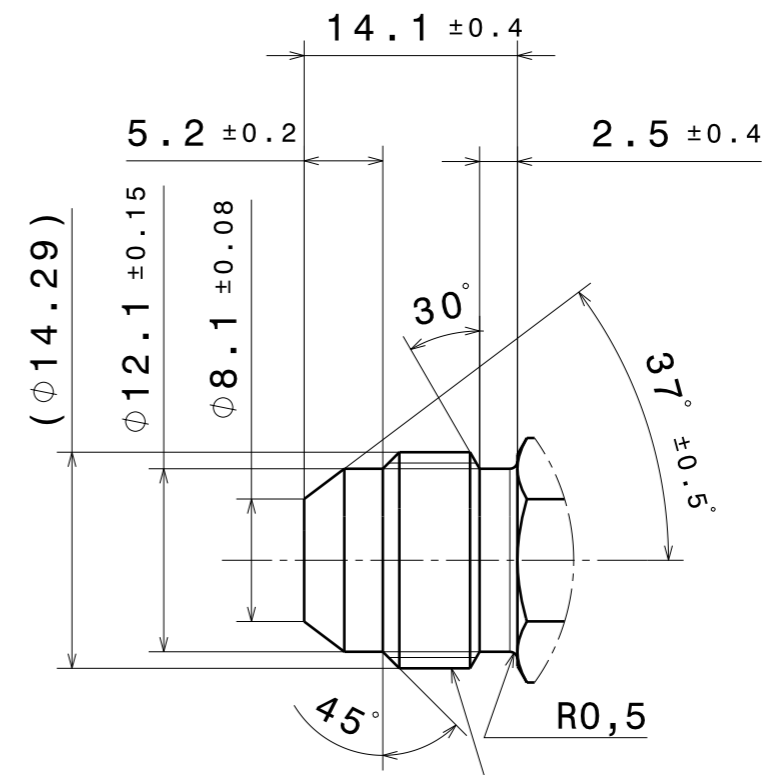
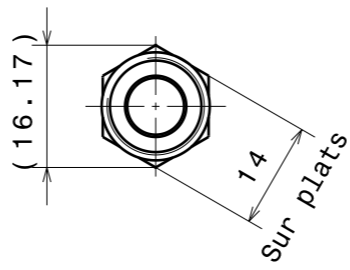
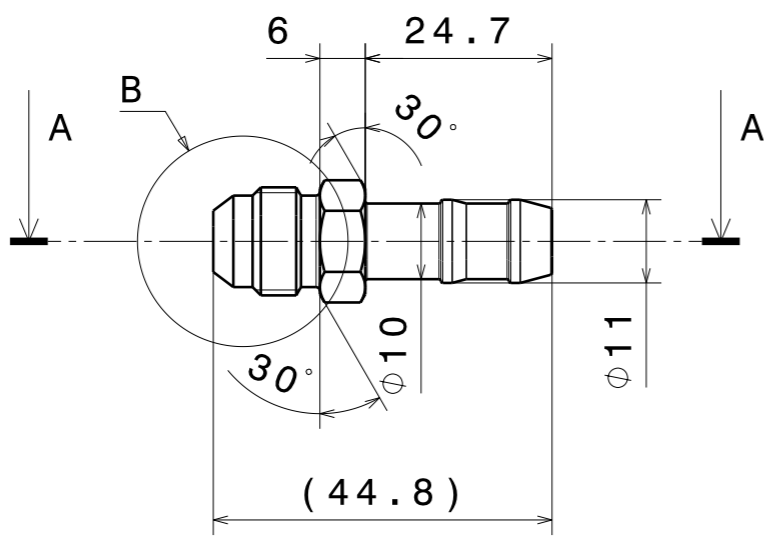


H G F E D C B A

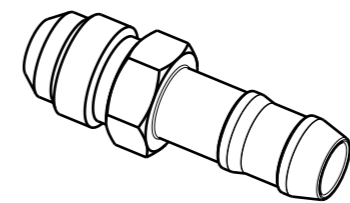
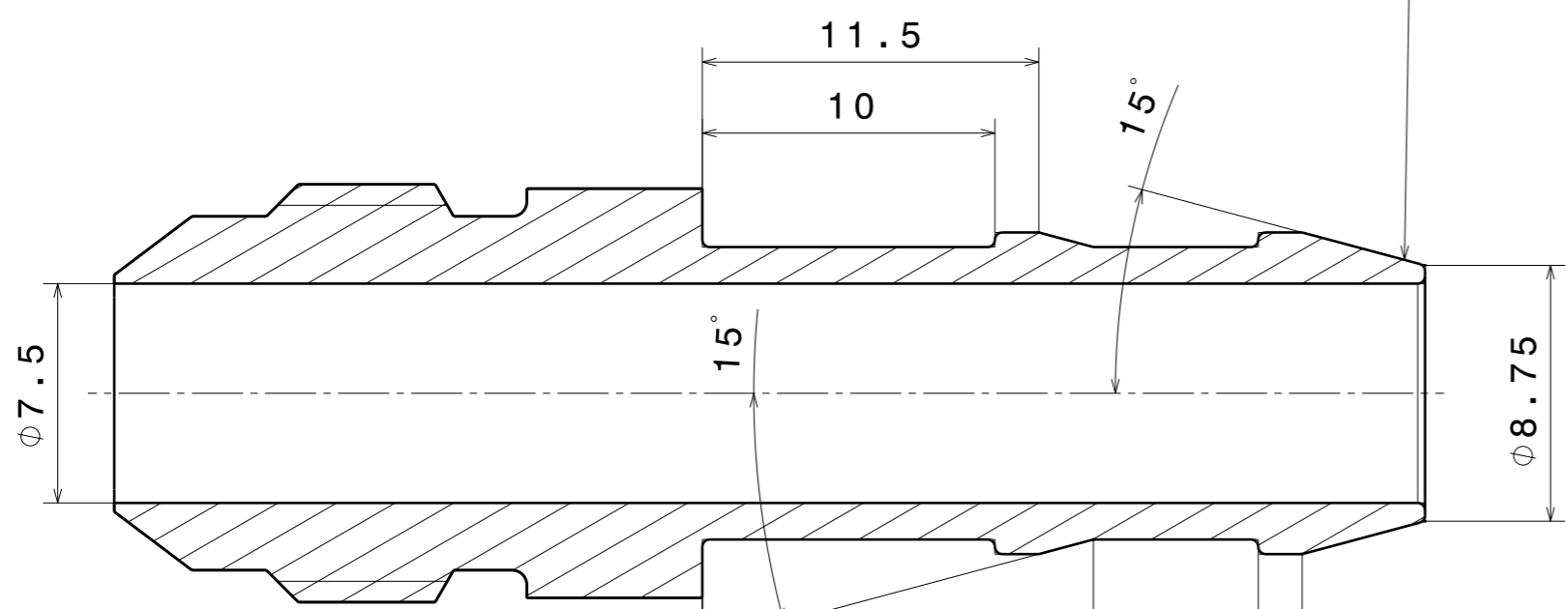
Détail B  
Interface Dash 06 / SAE J514  
Echelle : 2:1



Filetage UNF 9/16-18

Coupe A-A  
Echelle 4:1

Rayons de raccordement  
du profil = 0,25



MATIERE:  
Acier inoxydable 316L

DESIGNED BY: Ph Lemaillet		EMBOU TUYAU ASSISTANCE FREINAGE VERS MASTER-VAC SAPIN Ø11 / #06		I	-
DATE: 21/06/2024				H	-
CHECKED BY:		PHL - 006		G	-
DATE:				F	-
SIZE A3		DRAWING NUMBER		E	-
SCALE 1:1	WEIGHT (g) 22			D	-
		SHEET		C	-
				1/1	
This drawing is our property; it can't be reproduced or communicated without our written agreement.				A	-

H G B A