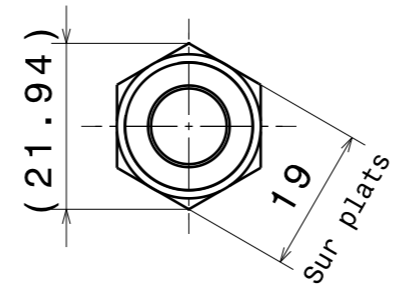
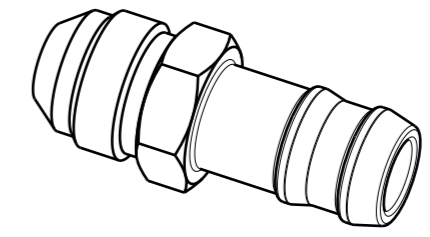
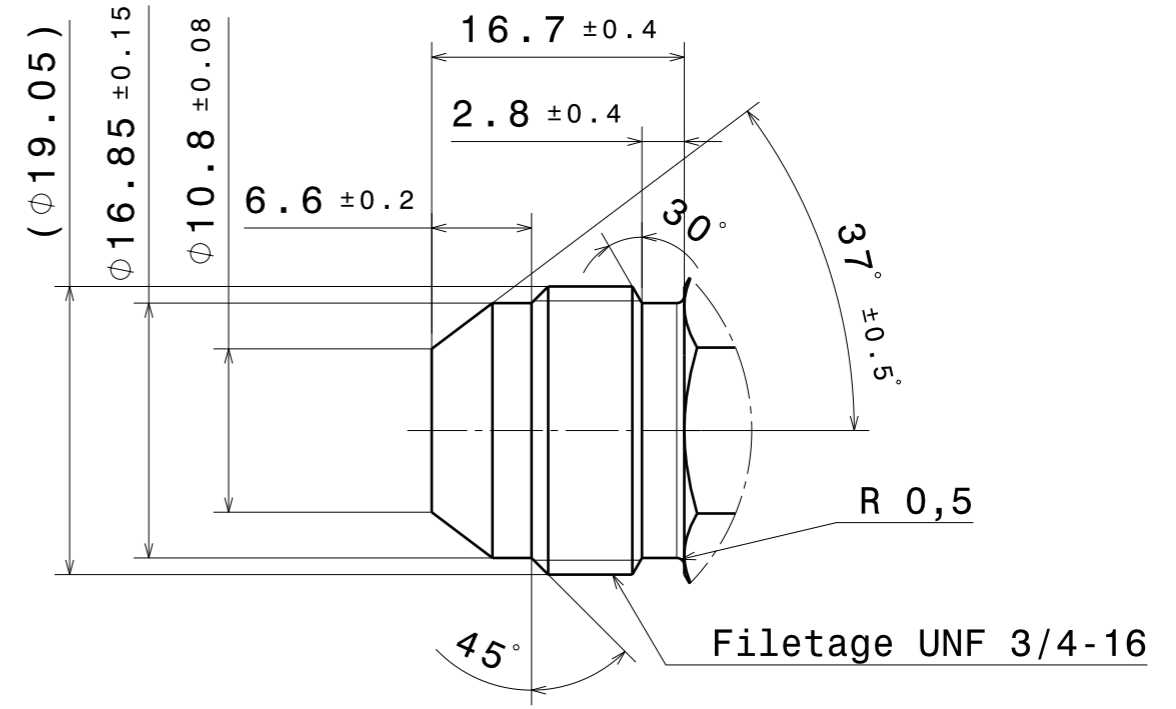


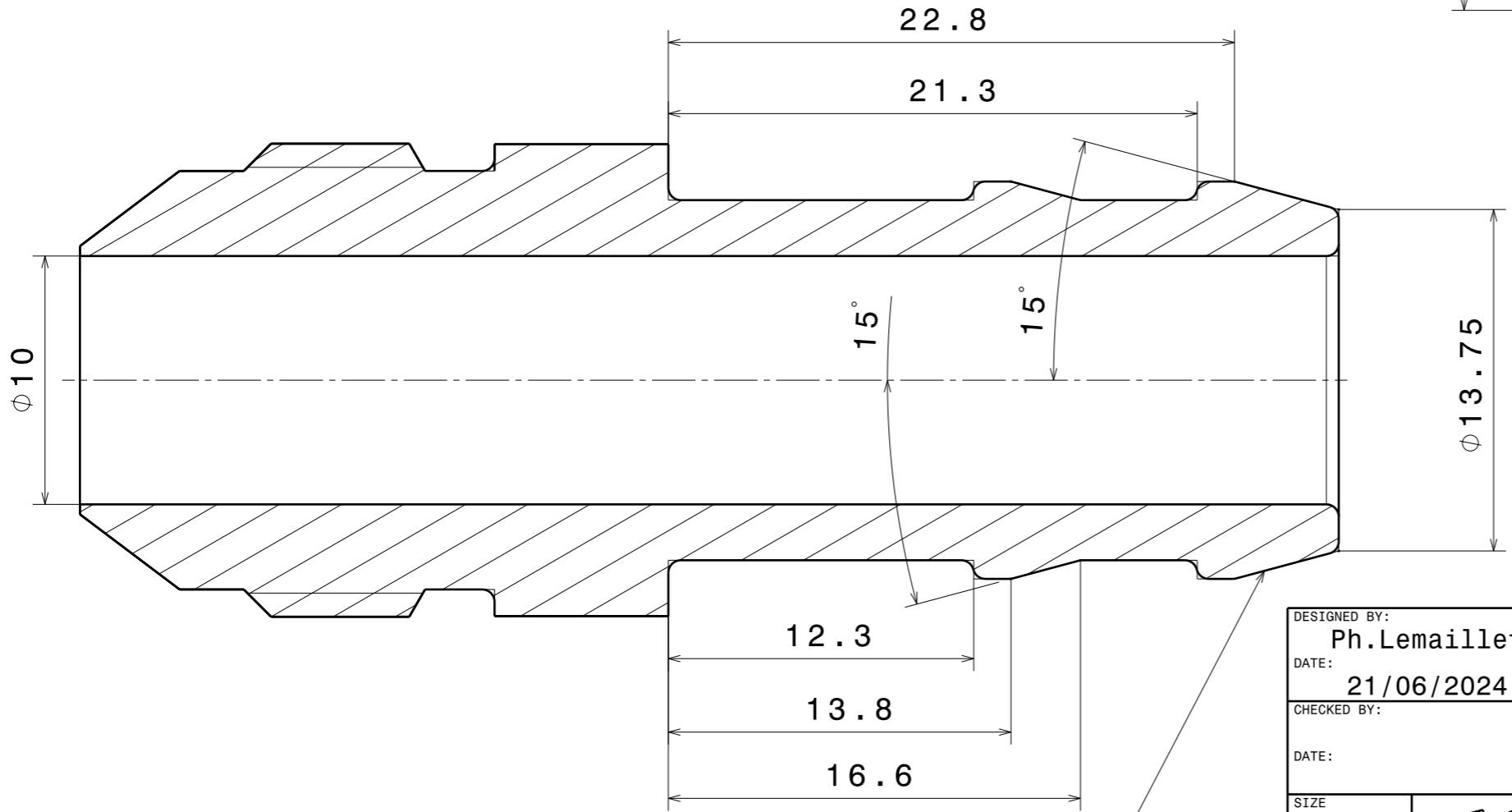
Coupe A-A
Echelle 4:1



Détail B
Interface Dash 08 / SAE J514
Echelle: 2:1



MATIERE :
Acier inoxydable 316L



Rayons de raccordement
du profil = 0,5

DESIGNED BY: Ph.Lemaillet	EMBOUT CIRCUIT CARBURANT SAPIN ϕ 16 / #08		I	-	
DATE: 21/06/2024			H	-	
CHECKED BY:			G	-	
DATE:			F	-	
SIZE: A3				E	-
SCALE: 1:1	WEIGHT (g): 52,5	DRAWING NUMBER: PHL-005	C	-	
		SHEET: 1/1	B	-	
This drawing is our property; it can't be reproduced or communicated without our written agreement.			A	-	