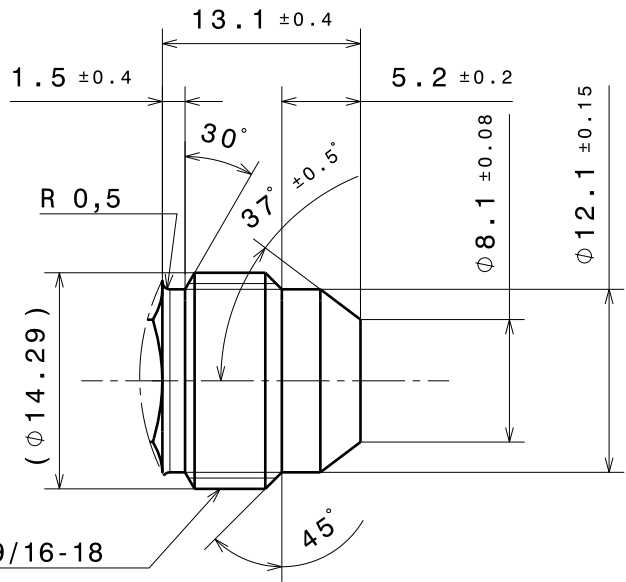
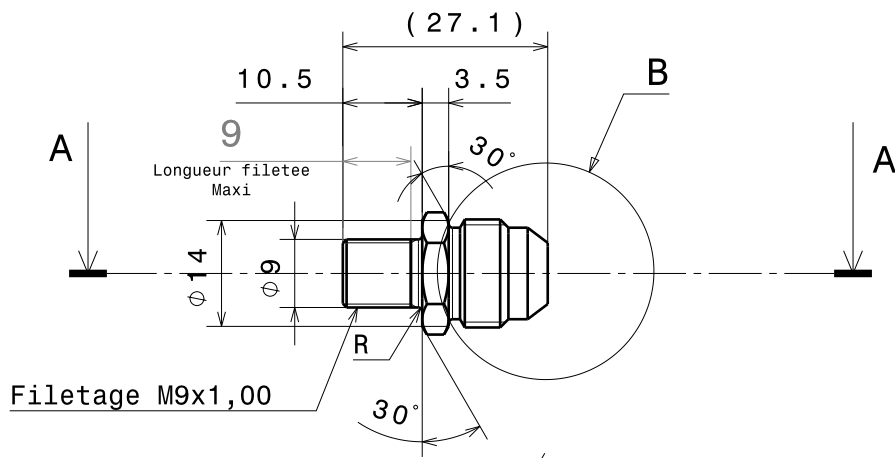


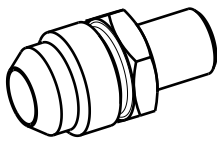
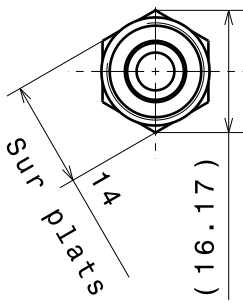
Détail B
Interface Dash 06 / SAE J514
Echelle : 2:1



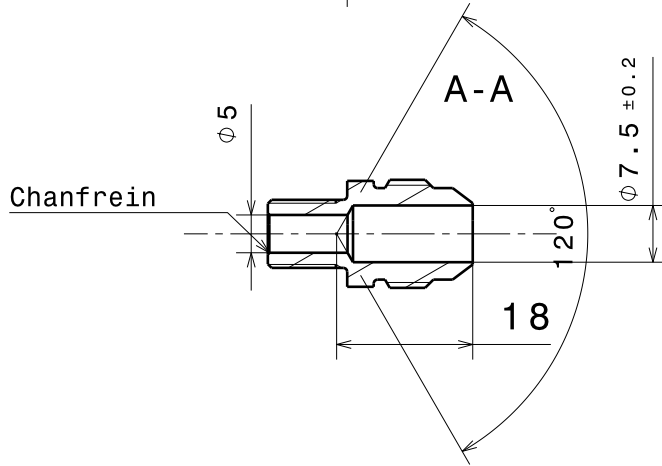
Filetage UNF 9/16-18



Filetage M9x1,00



Matiere :
Acier inoxydable 316L

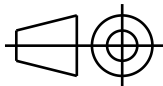


DESIGNED BY:
Ph.Lemaillet
DATE:
03/07/2024

CHECKED BY:
DATE:

**EMBOUT PRISE DEPRESSION MASTER VAC
M9x1,00 / #06**

SIZE
A4



SCALE
1:1

WEIGHT (g)
15,6

DRAWING NUMBER
PHL - 001

SHEET
1 / 1

I	-
H	-
G	-
F	-
E	-
D	-
C	-
B	-
A	X

This drawing is our property; it can't be reproduced or communicated without our written agreement.

D

A