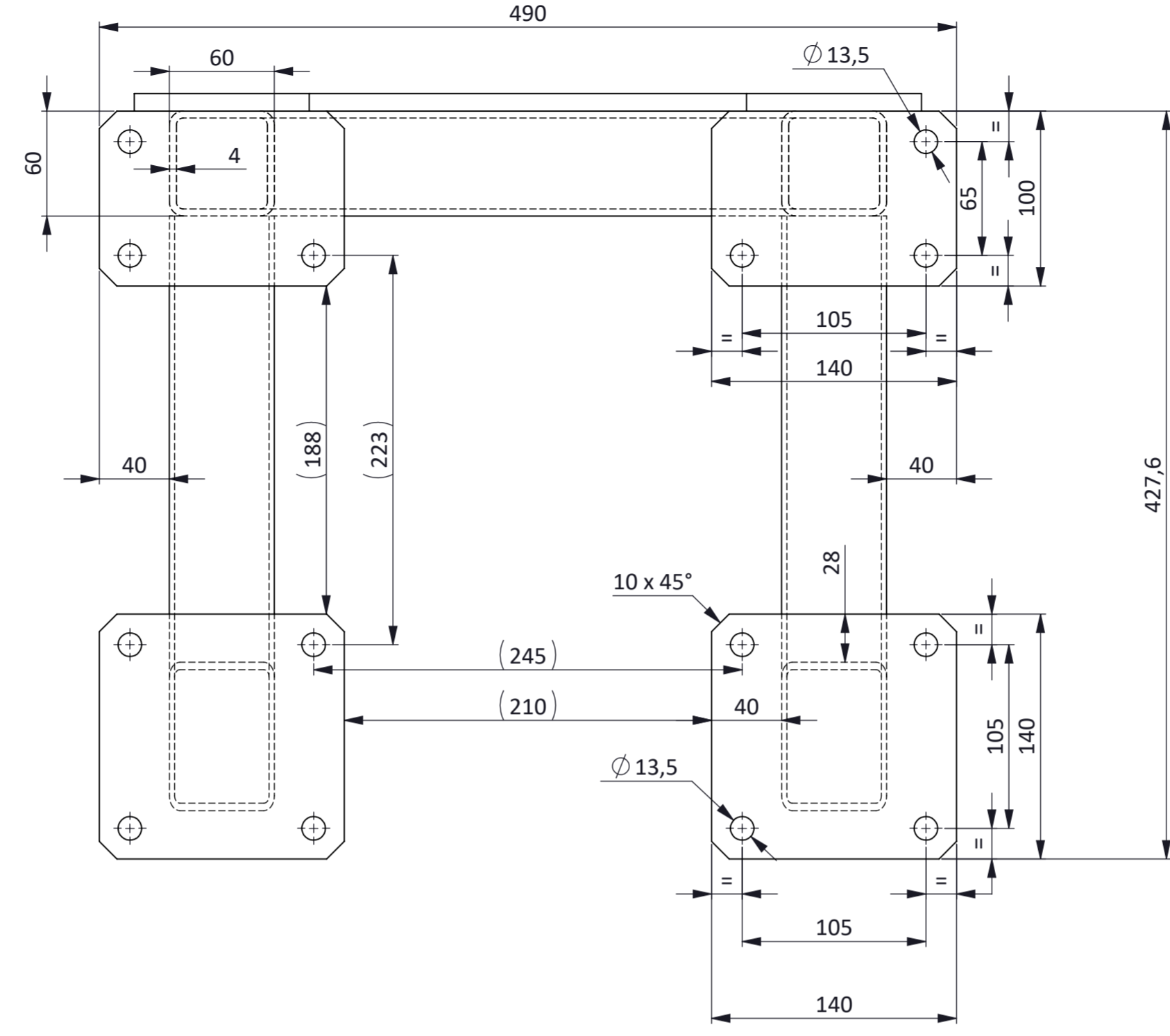
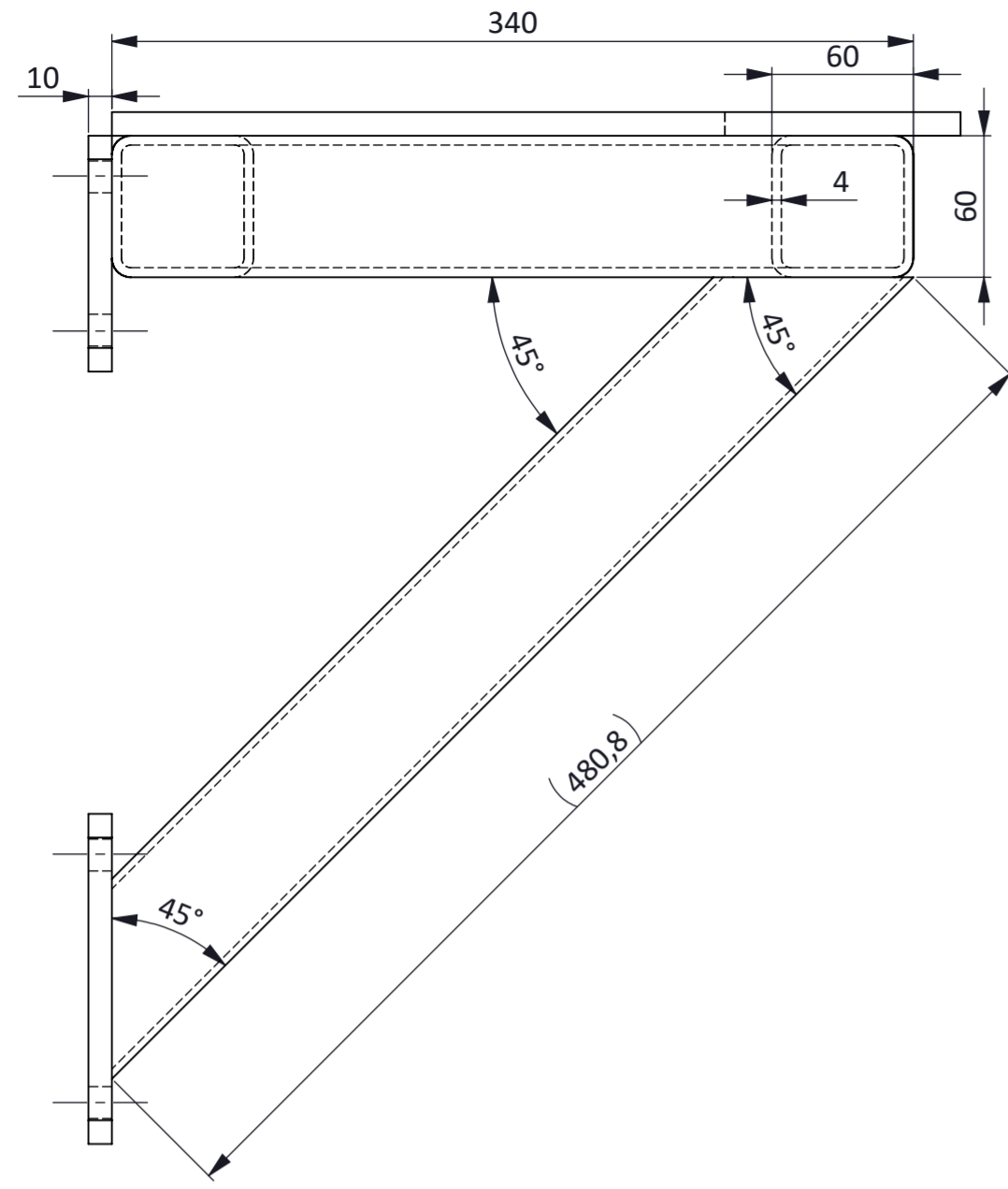
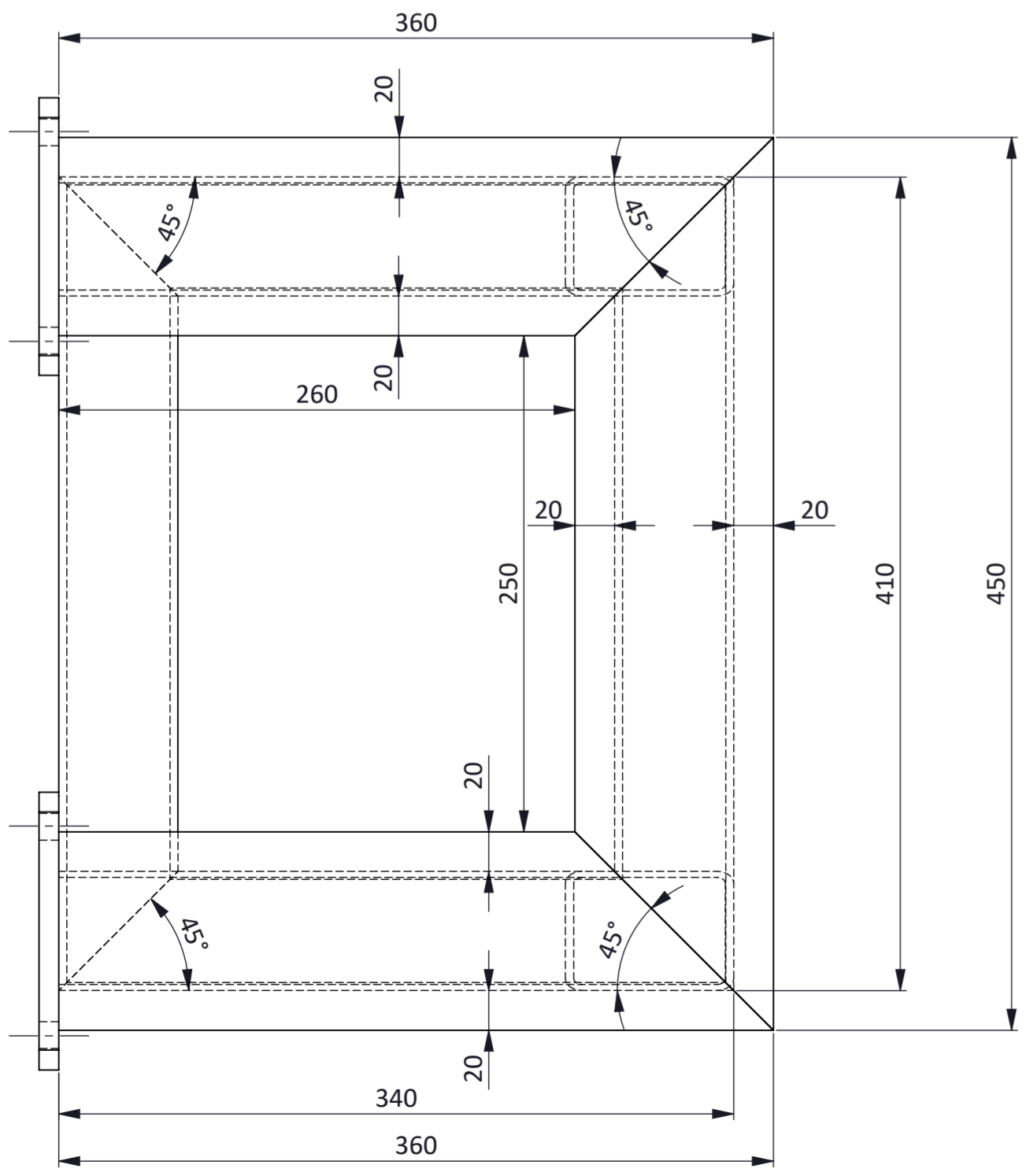
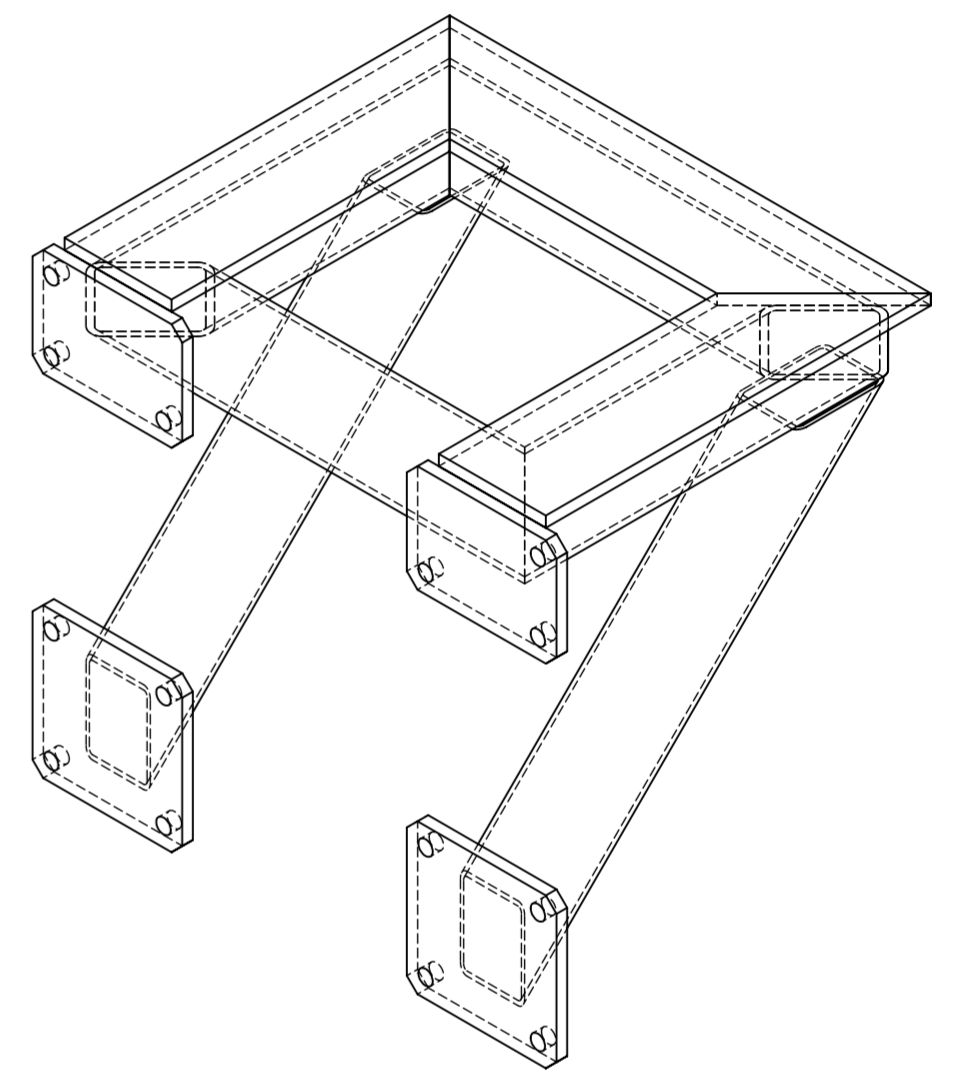


Plan crée en CAO 3D. Ne doit être modifié qu'à l'aide de la CAO 3D



Profil 60x60x4mm
 Plat 140x140x10mm
 Plat 140x100x10mm
 Plat 100x10



DATE <i>Date</i>	REV. <i>Rev.</i>	MODIFICATIONS <i>Subject</i>	CREE <i>Designed by</i>	VERIFIE <i>Verified by</i>	APPROUVE <i>Approved by</i>
<p>This plan, the information, design and layout contained in it are confidential and the intellectual property rights there in belong unless otherwise agreed by contract, to FIVES Conveying. It may not be reproduced or communicated without it's written permission. The possession of these documents implies the express acceptance of their confidential nature. Confidentiality, in case of refusal, they must be returned immediately to FIVES CONVEYING without retaining a copy.</p>					
N° Affaire: <i>Project N°:</i>			Client: <i>Customer:</i>		Usine: <i>Site:</i>
/					
Issu de: <i>From:</i>		1er DIEDRE		Tolérances générales: <i>General tolerances:</i> ISO 2768 - mK	
Matière: <i>Material:</i> S235JRG2		Dessinateur: <i>Drawn by:</i>		Protection:	
Masse: <i>Weight:</i> 25.33 kg		Verificateur: <i>Checked by:</i>		Traitement: <i>Treatment:</i>	
Autre N°: <i>Other N°:</i>		Date:		Type de Document: <i>Document type:</i>	
Format: <i>Size:</i> A2	Echelle / <i>Scale:</i> 1:3	Folio: <i>Sheet:</i> 1 / 1	N° Plan:		