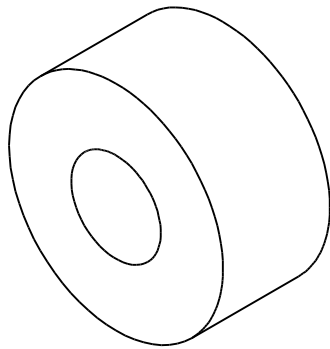


1	2	3	4
RevNo	Revision note	Date	Signature

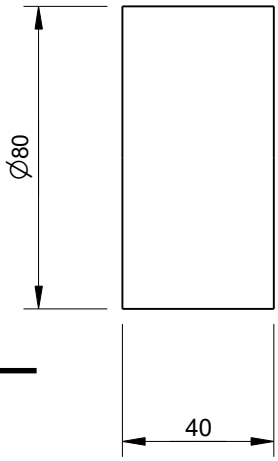
A

A



B

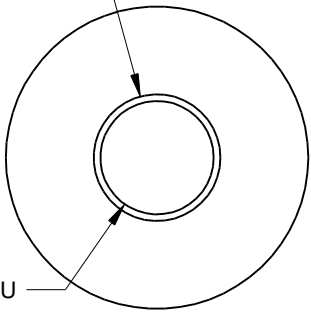
B



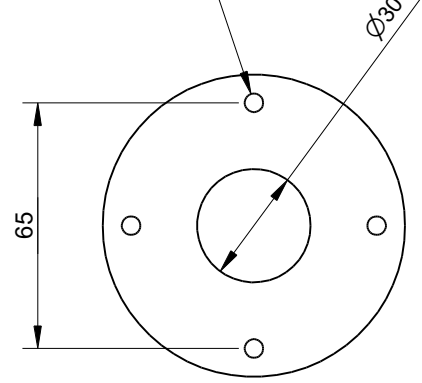
C

C

1 1/2-6 UNC ∇ 25



4x M6x1 ∇ 10



D

D

E

E

Itemref	Quantity	Title/Name, designation, material, dimension etc		Article No./Reference	
Drawn by Support pour capteur de niveau		Checked by	Approved by - date	File name	Date
				Scale 1:1	
			Edition	Sheet 1 OF 1	

F

F